

6 mm

SCANDINAVIAN OAK

11
PANELS

54.17 x 7.59 x 0.236" = **31.44 sq.ft**
33 lbs approx.

AC3 · 23

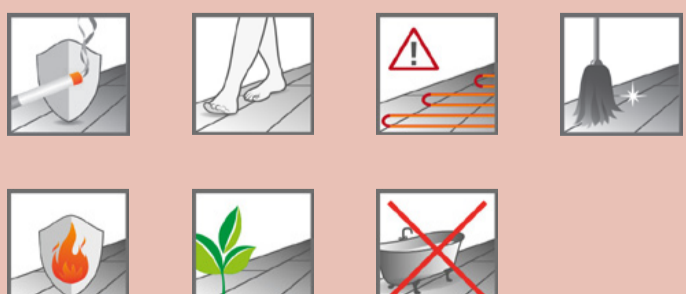
LIVING

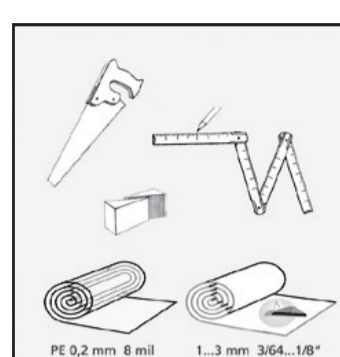
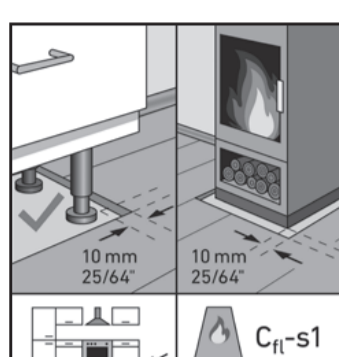
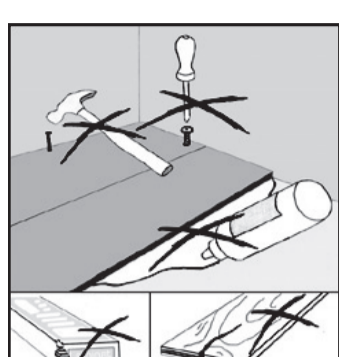
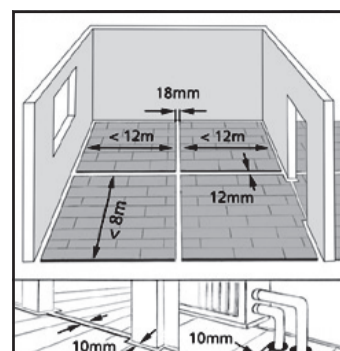
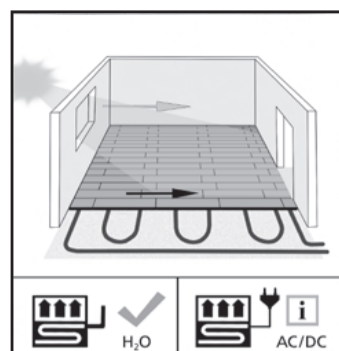
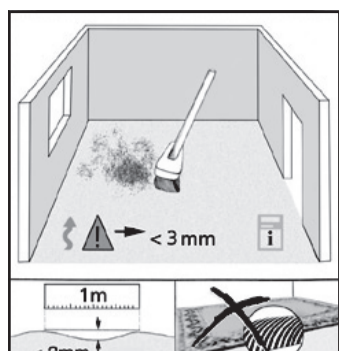


IMPORTANT

Before opening, please store packaging at room temperature (min. 18 °C) for at least 48 hours.

CE	<p>DOP: KDE_LF_008, EN 14041:2004/ AC2006 Bodenbeläge zur Verwendung in Gebäuden, Floor Covering for internal use, NB 0766, CfI-s1, E1, DS, PCP < 5 ppm, R < 0,15 m²K/W</p> <p>SWISS KRONO TEX GmbH & Co. KG, Wittstocker Chaussee 1, 16909 Heiligengrabe, www.swisskrono.com/de</p>
13	





INSTALLATION

