

Trampoline

Studsmatta / Trampoline /
Trampolin / Trampoliini



Ø244 cm

ENG

SE

NO

DE

FI



Thank you for choosing to purchase a product from Rusta!



Read through the entire manual before installation and use!

Trampoline, ø244 cm

- Only for domestic use.
- This toy is intended for outdoor use.
- Not suitable for children under 3 years old.
- Maximum load: 50 kg.
- Only one user at a time. Risk of collision.
- Product measurements: ø244 cm x H60 cm.

Please note! The safety net and edge protector must always be used with Rusta trampolines.



WARNING!

If these instructions are not followed, an accident may lead to serious personal injury or property damage.

INTRODUCTION

- Read through the information in this manual carefully and make sure you understand the instructions before using the trampoline.
- There is a risk of injury, as with any other recreational activity. Make sure you follow the safety regulations and advice to avoid any injuries.
- Using the trampoline incorrectly puts you at risk and could result in serious injuries.
- Trampolines are sprung, enabling the user to reach unusually high heights and end up in different positions.
- Check to see if the mat is worn or if there are any loose or missing parts every time you want to use the trampoline.
- This manual contains assembly instructions, advice for care and maintenance, safety regulations, warnings and correct jumping techniques. Anyone who uses the trampoline or is close to it must familiarise themselves with these user instructions. People who choose to use the trampoline must be aware of their limitations in terms of jumping techniques.

WARNING!

Only one person should jump at a time! If several people use the trampoline at the same time, this increases the risk of people breaking their necks, backs or legs.



SAFETY INSTRUCTIONS

- Before using the trampoline, read through all the instructions, warnings and advice about care, maintenance and use in this manual in order to prevent any injuries. There is a risk of injuries if the instructions below are not followed.
- The owner of the trampoline and the person in charge of it are responsible for making sure that anyone who uses the trampoline is aware of the information contained in this manual.
- Make sure there is enough space to jump high. A clearance of at least 8 metres above the ground is recommended. Make sure you have at least 2 metres of free space to the sides.
- Put the trampoline in an area that has a flat surface and is well illuminated.
- Warning. The trampoline shall be assembled by an adult in accordance with the assembly instructions and thereafter checked before the first use.
- Warning. Always close the net opening before jumping.
- Warning. Jump without shoes.
- Warning. Always Jump in the middle of the mat.
- Warning. Empty pockets and hands before jumping.
- Warning. Do not eat while jumping.
- Warning. Do not exit by a jump.
- Warning. Do not use the mat when it is wet.
- Warning. Limit the time of continuous usage (make regular stops).
- Warning. The safety net should be replaced every three years.
- Warning. Do not use in strong wind conditions and secure the trampoline.
- Warning. The trampoline is not intended to be buried into the ground.
- The trampoline shall neither be installed over concrete, asphalt or any other hard surface not at proximity of other conflicting installations (e.g. padding pools, swings, slides, climbing frames).
- Any modifications made by the consumer to the original trampoline (e.g. the adding of an accessory) shall be carried out according to the instructions of the manufacturer.
- Climb carefully when you are getting on or off the trampoline. It is risky to jump from the trampoline onto the ground or jumping onto the trampoline. Do not use the trampoline as a springboard to jump onto other objects.

- Do not use the trampoline straight after you have eaten.
- Do not use the trampoline if you are tired. Only jump for short periods of time.
- Make sure that the trampoline is stored in a safe place when it is not in use. If you use a ladder to get onto the trampoline, it must be removed by the person in charge if they leave the area in order to prevent unauthorised persons from using it.
- Make sure that any objects that could get in the way of the person jumping are kept away from the trampoline. Keep the area around the trampoline clear of any objects.
- Do not use the trampoline if you have drunk alcohol or taken drugs.
- If you would like information about jumping exercises, contact an experienced instructor.
- Do not use the trampoline if the mat is wet, damaged, dirty or worn. Check the trampoline before you use it.



WARNING!

If these instructions are not followed, an accident may lead to serious personal injury or property damage.

Check to see if the safety net is worn or if there are any loose or missing parts every time you want to use the trampoline. There are some circumstances where the risk of injury is higher, in particular:

- If there are tears, rips or holes in the safety net, its accessories or the mat.
- If the safety net is slack.
- If the seams are loose or the safety net is worn.
- If parts of the frame are bent or damaged, for example, the legs.
- If there are broken, damaged or missing springs.
- If the edge protector is not being used, is broken or incorrectly assembled.
- If any parts are sticking out (particularly those with sharp edges) on the frame, the springs or the trampoline.

IF YOU DISCOVER ANY OF THE ABOVE OR ANYTHING ELSE THAT COULD PUT PEOPLE AT RISK OF INJURY, THE TRAMPOLINE MUST BE DISMANTLED OR PUT AWAY AND MAY NOT BE USED UNTIL THE PROBLEM(S) HAS (HAVE) BEEN SOLVED.

WHERE TO PUT YOUR TRAMPOLINE

There should be at least 8 metres of space above the trampoline and at least 2 metres of space around it. Make sure that there are no dangerous objects such as branches, other objects (e.g. swings or pools) cables, walls, fences, etc., close to the trampoline. Remember the following when deciding where to put your trampoline:

- The trampoline must be placed on an even surface.
- The area must be bright or illuminated.
- There should be no objects underneath the trampoline.
- No unauthorised people should be able to use the trampoline when it is not in use.
- The mat must be dry. Never jump on a wet mat.
- There should be no wind. Do not jump if it is windy.

The person in charge must notify anyone using the trampoline of the rules set out in this manual. The person in charge must be an adult. They must always be present when the trampoline is in use.

WINDY CONDITIONS

Strong wind can blow the trampoline away. If you are expecting strong wind, you should store the trampoline in a sheltered place or disassemble it. You can also tie the rounded, outside edge (top rail) of the trampoline to the ground using ropes and stakes. Secure it in at least three places. Do not only secure the legs of the trampoline, as they can be pulled out of the frame sockets.

MOVING THE TRAMPOLINE

You need at least two people to move the trampoline. Tape all the connection points with weather-resistant tape, e.g. duct tape. This helps to keep the frame intact and prevents the parts from moving and separating. When moving the trampoline, lift it up and keep it horizontal to the ground. For any other kind of transport, you must disassemble the trampoline.

OPERATING INSTRUCTIONS

- Firstly, get used to how it feels to jump on a trampoline. Focus on basic body positions and practise each jump (basic jumps) until you can easily perform them in a controlled way.
- To stop a jump, bend at the knees when your feet touch the mat. Practise this when you are learning the basic jumps. Always use this technique if you lose balance or lose control of the jump.
- Learn the basic jump first and make sure you master it before practising more advanced jumps. A controlled jump is when you start a jump and land it on the same point on the mat. If you try more advanced jumps before you have mastered the basics, you will put yourself at risk of injury.
- Do not jump too long as tiredness increases the risk of injury. So only jump for a short while and then let other people have a go! Only one person should jump at a time.
- Climb carefully on and off the trampoline to prevent any injuries. When you climb onto the trampoline, grab hold of the frame and then climb or roll over the edge, the springs, and then up onto the mat. Always hold the frame when you are climbing off or on the trampoline. Do not hold or climb on the edge protector.
- When you want to climb off the trampoline, hold the frame and then climb down onto the ground. Help children to get on and off the trampoline.
- Do not jump down from the trampoline as this increases the risk of injury. It is important to keep in control and be able to master jumping to avoid any injuries. Never try to jump higher than anyone else! Do not use the trampoline without anyone watching you.

JUMPER

- When you are jumping, it is important to remain in control. Do not perform more advanced exercises until you have mastered the basic jumps. Knowledge of the trampoline is also important to prevent any injuries. Read through, think about and apply all the safety instructions before using the trampoline.

- A controlled jump is when you start a jump and land it on the same point on the mat. Always jump on the centre of the mat.
- Make sure the opening of the safety net is properly closed before you start jumping.
- Anyone using the trampoline must not have any hard or sharp objects with them.
- Climb off the mat in a careful and controlled manner. Never jump down from the mat and do not use it for jumping onto other objects.
- Do not jump for too long and never do several extremely high jumps in a row.
- Keep your focus on the mat as this will make it easier to keep control of your jump. Otherwise you may lose balance or lose control.
- Children must always be supervised when they are using the trampoline.

SUPERVISOR

- The person in charge/supervisor must understand and apply all of the safety instructions and guidelines in this manual. The person in charge is responsible for giving advice and instructing anyone who uses the trampoline. If there is no-one who can keep watch over the people jumping, the trampoline must be stored in a sheltered place, disassembled to prevent unauthorised use or covered over with a tarpaulin.
The person in charge is also responsible for making sure that the safety sign is attached to the trampoline and for giving safety instructions to anyone who jumps on the trampoline.
- Someone must always be watching a person who is jumping, no matter how old or experienced they are.

BASIC TRAMPOLINE EXERCISES

STANDING JUMP



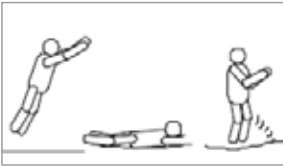
1. Begin in the start position with your feet shoulder width apart, head facing forwards and eyes on the mat.
2. Bend your arms forwards, upwards and round in a circular movement.
3. Bring your feet together when you are in the air. Toes pointing down.
4. Bring your feet back to shoulder width apart as you land on the trampoline.

SITTING JUMP



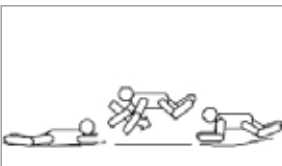
1. Land in a flat sitting position.
2. Lay your hands on the trampoline next to your hips.
3. Return to the standing position by pushing yourself up with your hands.

TUMMY JUMP



1. Stand up straight with your arms stretched above your head.
2. Land on your tummy with your hands and arms stretched forward.
3. Push yourself up from the trampoline with your arms and return to the standing position.

180 DEGREE TWIST



1. Start in the same position as for the tummy jump.
2. Push yourself up from the mat with your left or right hand (depending on which direction you wish to twist).
3. Turn your head and shoulders in the same direction. Keep your back parallel with the mat and head up.
4. Land on your tummy again. Push yourself up from the mat with both hands and return to the standing position.

CARE AND MAINTENANCE

The trampoline has been designed and manufactured by craftspeople using high quality materials. Proper care and maintenance will extend the life of the trampoline and reduce the risk of injuries. Please read the following instructions carefully: This trampoline is designed to withstand a certain weight and to be used in a certain way. Users should be barefoot or wear socks only. Keep the trampoline out of reach of pets to avoid tears and other damage to the trampoline. Always check the trampoline for wear or loose or missing parts before use. The risk of injury is greater in certain instances and in particular:

- If there are any tears, cracks or holes in the trampoline.
- If the trampoline loses its elasticity.
- If seams come loose or the trampoline becomes worn.
- If parts of the frame are bent or damaged, such as the legs.
- Check all nuts and bolts for tightness and tighten when required
- Check that all spring-loaded (pit pin) joints are still intact and cannot become dislodged during play.
- Check all coverings and sharp edges and replace when required.
- Outdoor trampolines should be equipped with a device that in strong wind conditions avoid displacement due to wind (e.g. steel bars in the ground or loads like sand bag or water bags) and/or items catching wind like net and mat should be removed.
- In certain countries during winter period, the snow load and the very low temperature can damage the trampoline. It is recommended to remove the snow and store the mat and the enclosure indoor;
- Check that mat, padding and enclosure are without defects.
- Make sure that the hook-and-loop fasteners are closed correctly during use of trampoline.
- Retain the maintenance instruction manual.
- Check the trampoline every time you want to use it. Check that the safety net is securely fastened, that the trampoline is intact, and that the edge protector is positioned correctly. Replace any worn, damaged or missing parts.



IMPORTANT! IF YOU DISCOVER ANY OF THE ABOVE OR ANYTHING ELSE THAT CAN CARRY A RISK OF PERSONAL INJURY, THE TRAMPOLINE MUST BE DISMANTLED OR MOVED TO THE SIDE AND NOT USED UNTIL THE PROBLEM(S) HAVE BEEN RESOLVED.

STORAGE

If the trampoline will not be used for a prolonged period, such as during the winter months, it should be dismantled and stored in a dry area protected from the weather.

MAINTENANCE REQUIREMENT FOR ENCLOSURE NET

Your trampoline enclosure netting is manufactured with UV resistant material. Despite this the netting is exposed to the outdoor elements including sunlight, wind, rain and wild-life. The net surrounding the trampoline must be checked prior to each use. This includes, but is not limited to inspecting the net for cracks, excess wear, brittleness, and stretching. Also inspect all connections and the entire enclosure for overall integrity. The net must be immediately replaced if it shows any signs of wear, damage, stretching, cracking, looseness, brittleness or other losses in integrity. The following Maintenance Schedule must be followed:

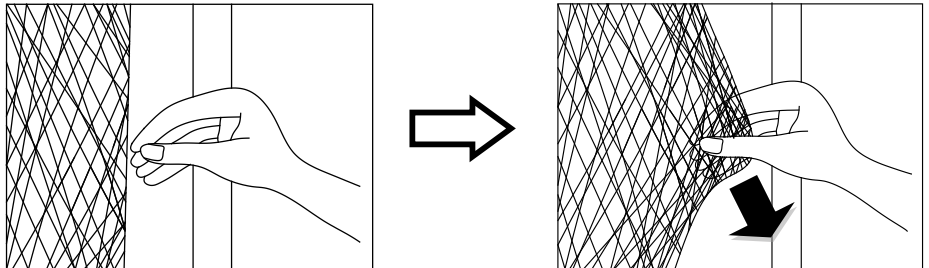
1 to 6 Months	6 to 18 Months	18 to 36 Months
Inspect the enclosure (net, net hanger, and straps) prior to every use.	Thorough inspection for UV damage and prior to every use for net, net hanger and straps.	Thorough inspection before every use on net, net hanger, straps, zippers, ties and strings. Replace after 36 months or earlier if necessary.

IT IS RECOMMENDED THAT THE NET BE REPLACED ON A YEARLY BASIS UNDER NORMAL USE, EVEN IF IT DOES NOT SHOW ANY VISIBLE SIGNS OF DAMAGE.

How to Inspect the Trampoline Net for Proper Use

Always check the enclosure netting for signs of UV damage, deterioration, brittleness, cracking, and tearing every time before using the trampoline and enclosure.

Step 1 - Inspect the enclosure netting before EACH use for wear or tear by pinching and pulling a section of the netting between fingers and pulling downward. Please see diagram below.



If it produces any tear or cracking or ripping sound, then the net is unsafe and **MUST** be taken down immediately. **STOP USING THE TRAMPOLINE ENCLOSURE IF YOU FIND ANY SIGNS OF WEAR OR TEARING ON THE NETTING.**

Step 2 - Walk around the whole perimeter of the trampoline to visually check for material deterioration or other damage.

MAINTENANCE REQUIREMENT FOR TRAMPOLINE PAD

Walk around the whole perimeter of the trampoline to visually check for material deterioration, tears, looseness, loss of elasticity or other damage in the pad.

RIGHT OF COMPLAINT

By law the product must be returned to the place of purchase along with the original receipt in the event of a complaint. The user is liable for any damage to the product that is caused by not using the product for its intended purpose or by not following this user manual correctly. The right of complaint will not apply in these instances.



INFORMATION ABOUT HAZARDOUS WASTE

Used products should be handled separately from household waste. They should be taken for recycling in accordance with local rules for waste management.



Tack för att du valt att köpa en produkt från Rusta!



Läs igenom hela bruksanvisningen innan montering och användning!

Studsmatta, ø244 cm

Läs bruksanvisningen noggrant och se till att produkten installeras, används och underhålls på rätt sätt enligt instruktionerna. Spara bruksanvisningen för senare bruk.

- Endast för hushållsbruk.
- Denna leksak är avsedd att användas utomhus.
- Ej lämplig för barn under 3 år.
- Maximal belastning: 50 kg.
- Endast en användare åt gången. Kollisionsrisk.
- Produktens mått: ø244 cm x H 60 cm.



OB! Säkerhetsnät och kantskydd ska alltid användas till Rustas studsmattor.

INTRODUKTION

- Läs noga igenom och iaktta informationen i denna manual innan du använder studsmattan.
- Liksom vid annan fritidsaktivitet finns det risk för skador. Var noga med att du följer säkerhetsföreskrifterna och råden för att undvika skador.
- Felaktig användning av denna studsmatta innebär en risk och kan leda till allvarliga skador!
- Studsmattor är fjädrande redskap som får utövaren att nå ovanligt höga höjder och hamna i olika ställningar.
- Kontrollera om mattan är sliten eller om det finns lösa eller saknade delar varje gång du ska använda studsmattan.
- Denna manual innehåller monteringsanvisningar, råd för skötsel och underhåll, säkerhetsföreskrifter, varningar och korrekta hopp tekniker. Alla som använder studsmattan och är i dess närhet måste bekanta sig med dessa användarinstruktioner. De som väljer att använda studsmattan måste vara medvetna om sina begränsningar i fråga om hopp teknik.

WARNING!

**Hoppa endast 1 person åt gången!
Om flera personer använder studs-
mattan samtidigt finns det en ökad risk
för skador.**



SÄKERHETSFÖRESKRIFTER

- Innan du använder studsmattan, läs igenom alla instruktioner, varningar och råd om skötsel, underhåll och användning som står häri för att undvika skador. Det finns en risk för personskador ifall inte dessa anvisningar nedan efterföljs.
- Studsmattans ägare och ansvarig person ansvarar för att alla som använder studsmattan känner till den information som ges i denna manual.
- Se till att det finns tillräckligt med utrymme för att hoppa högt, fritt minst 8 meter från marken rekommenderas. Se till att ha minst 2 meter fritt utrymme åt sidorna.
- Placera studsmattan på ett område med jämnt underlag och bra belysning.
- Varning. Studsmattan ska monteras av en vuxen i enlighet med monteringsanvisningarna och därefter kontrolleras före den första användningen.
- Varning. Stäng alltid nätöppningen innan du börjar hoppa.
- Varning. Hoppa utan skor.
- Varning. Hoppa alltid i mitten av mattan.
- Varning. Ha ingenting i fickorna eller händerna vid hoppning.
- Varning. Ät inte medan du hoppar.
- Varning. Avsluta inte med ett hopp.
- Varning. Använd inte mattan när den är våt.
- Varning. Begränsa tiden för kontinuerlig användning (gör regelbundna uppehåll).
- Varning. Säkerhetsnät bör bytas var tredje år.
- Varning. Byt ut nätet och inhägnaden efter ett års användning.
- Varning. Vid starka vindförhållanden, hoppa inte och säkra studsmattan.
- Varning. Studsmattan är inte avsedd att grävas ner i marken.

- Studsmattan ska varken installeras på betong, asfalt eller annan hård yta och inte i närheten av andra installationer (t. ex. plaskdammar, gungor, rutschkanor, klätterställningar).
- Alla ändringar som konsumenten gör av den ursprungliga studsmattan (t. ex. montering av tillbehör) ska utföras i enlighet med tillverkarens anvisningar.
- Klättra försiktigt när du går av eller på studsmattan. Det utgör en risk att hoppa från studsmattan till marken eller att hoppa upp på studsmattan. Använd inte studsmattan som en språngbräda för att hoppa upp på andra föremål.
- Använd inte studsmattan direkt efter att du har ätit.
- Använd inte studsmattan om du är trött. Hoppa endast i korta intervall.
- Se till att studsmattan förvaras säkert när den inte används. Om en stege används för att komma upp på studsmattan ska den tas bort av ansvarig person ifall denne går därifrån för att förhindra att obehöriga inte kan använda den.
- Håll föremål som kan hamna i vägen för den som hoppar bort från studsmattan. Håll utrymmet kring studsmattan fritt.
- Använd inte studsmattan om du har druckit alkohol eller tagit läkemedel.
- För information om hoppövningar, kontakta en kunnig instruktör.
- Använd inte studsmattan om mattan är våt, skadad, smutsig eller utsliten. Kontrollera studsmattan innan den används.



VARNING!

Om föreskriften inte efterföljs kan en olycka leda till allvarlig person- eller egendomsskada.

Kontrollera om säkerhetsnätet är slitet eller om det finns lösa eller saknade delar varje gång du ska använda studsattan. Under vissa omständigheter är skaderisken större, i synnerhet:

- Om det finns revor, sprickor eller hål i säkerhetsnätet, dess tillbehör eller studsattan.
- Om säkerhetsnätet är slapt.
- Om sömmen är lös eller säkerhetsnätet är slitet.
- Om delar av stommen är böjd eller trasig, till exempel benen.
- Om det finns trasiga, skadade eller saknade fjädrar.
- Om kantskyddet inte används, är trasigt eller felaktigt monterat.
- Om delar sticker ut (i synnerhet de med vassa kanter) på stommen, fjädrarna eller studsattan.

OM DU UPPTÄCKER NÅGOT AV OVANSTÅENDE ELLER ANNAT SOM KAN UTGÖRA RISK FÖR PERSONSKADA MÅSTE STUDSMATTAN DEMONTERAS ELLER STÄLLAS ÅT SIDAN OCH FÅR INTE ANVÄNDAS TILLS PROBLEMET (-EN) HAR LÖSTS.

PLACERING AV STUDSMATTAN

Luftrommet över trampolinen bør være minst 8 meter och minst 2 meter fritt runtomkring studsattan. Se till att det inte finns några farliga föremål så som grenar, andra föremål (t.ex. gungor eller pool), kablar, väggar, staket etc. i närheten av studsattan. Tänk på följande när du placerar studsattan:

- Studsattan ska placeras på ett jämnt underlag.
- Området ska vara ljust eller upplyst.
- Det får inte finnas några föremål under studsattan.
- Ingen obehörig ska kunna använda studsattan när den inte används.
- Mattan måste vara torr. Hoppa aldrig på en våt matta.
- Vinden måste vara stilla. Hoppa inte när det blåser.

Den ansvarige måste informera de som ska använda studsattan om de föreskrifter som anges i denna manual. Den ansvarige måste vara en vuxen person. Denne måste alltid närvara när studsattan används

BLÅSIGA FÖRHÅLLANDEN

Stark vind kan få studsattan att blåsa iväg. Om stark vind förväntas måste studsattan förvaras på en skyddad plats eller demonteras. Det går även att surra fast studsattans rundade ytterkant (toppskenan) i marken med hjälp av rep och pålar. Säkra den på minst tre ställen. Det räcker inte att enbart säkra studsattans ben eftersom dessa kan dras ut ur stommens hållare.

FLYTTA STUDSMATTAN

Minst två personer krävs för att flytta på studsattan. Tejpa alla kopplingar med väderbeständig tejp, t.ex. silvertejp. Detta hjälper stommen att bevara sin form och förhindrar delarna från att röra sig och separeras. För att flytta på studsattan, lyft upp och bär den horisontellt mot marken. Vid övriga transporter måste studsattan demonteras.

ANVÄNDNINGSANVISNINGAR

- Bekanta dig först med hur det känns att hoppa på studsattan. Fokusera på grundläggande kroppsställningar och öva på varje hopp (grundhoppet) tills du enkelt kan utföra dem kontrollerat.
- För att avbryta ett hopp ska du böja på knäna när fötterna nuddar mattan. Öva på detta när du lär dig grundhopp. Använd alltid denna teknik om du tappar balansen eller förlorar kontrollen över hoppet.
- Lär dig först det enklaste hoppet och se till att du behärskar det innan du övar på mer avancerade hopp. Ett kontrollerat hopp innebär att du påbörjar ett hopp och landar på samma punkt på mattan. Om du provar på mer avancerade hopp innan du har bemästrat det enklare finns det en risk att du skadar dig.
- Hoppa inte för länge eftersom trötthet ökar risken för skada. Hoppa därför bara en kort stund och låt andra hoppa sen! Hoppa endast en person åt gången.
- Klättra försiktigt av och på studsattan för att undvika skador. För att klättra upp på studsattan, ta tag i stommen och klättra eller rulla över kanten, fjädrarna och sedan upp på mattan. Ta alltid tag i stommen när du klättrar av eller på studsattan. Ta inte tag i eller klättra på kantskyddet.
- För att klättra av studsattan, ta tag i stommen och klättra sedan ner på marken. Hjälプ barn att komma av och på studsattan.
- Hoppa inte ner från studsattan eftersom det ökar risken för skada. Det är viktigt att ha självkontroll och att kunna behärska hoppet för att undvika skador. Försök aldrig hoppa högre än någon annan! Använd inte studsattan utan att någon håller uppsikt.

HOPPARE

- När du hoppar är det viktigt att behålla kontrollen. Utför inte mer avancerade övningar innan du behärskar grundhoppet. Kunskap om studsattan är även viktigt för att motverka skador. Läs igenom, begrunda och tillämpa alla säkerhetsanvisningar innan du använder studsattan.

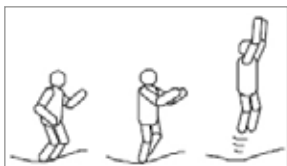
- Ett kontrollerat hopp innebär att du påbörjar ett hopp och landar på samma punkt på mattan. För ytterligare säkerhetsanvisningar, kontakta en kunnig instruktör.
- Stäng alltid säkerhetsnätets öppning ordentligt innan du börjar hoppa.
- Den som använder studsmattan får inte bära med sig några hårda eller vassa föremål.
- Klättra försiktigt och kontrollerat av studsmattan. Hoppa aldrig ned för studsmattan och använd den inte heller för att hoppa upp på andra föremål.
- Hoppa inte för länge och gör aldrig flera väldigt höga hopp i rad.
- Fokusera blicken på mattan för att enklare ha kontroll över hoppen. Det finns annars en risk att du tappar balansen eller förlorar kontrollen.
- Barn ska alltid hållas under uppsikt när de använder studsmattan.

ÖVERVAKARE

- Ansvarig person/övervakare måste förstå och tillämpa alla säkerhetsanvisningar och riktlinjer i denna manual. Den ansvarige ansvarar för att ge råd och instruera alla som använder studsmattan. Om det inte finns någon som kan hålla uppsikt över de som hoppar ska studsmattan förvaras på en skyddad plats, demonteras för att förhindra obehörig användning eller täckas över med en presenning. Den ansvarige ansvarar även för att säkerhetsskylten sätts på studsmattan och att de som hoppar får information om säkerheten.
- Det måste alltid finnas någon som håller uppsikt över den som hoppar oavsett personens ålder eller erfarenhet.

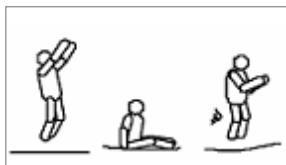
GRUNDLÄGGANDE STUDSMATTEHOPP

GRUNDHOPP



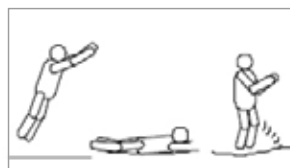
1. Börja i startpositionen med fötterna isär i axelbredd, huvudet riktat fram och ögonen på mattan
2. Böj armarna framåt, uppåt och runt i en cirkelrörelse
3. För fötterna samman medan du är uppe i luften. Låt tårna peka nedåt.
4. För fötterna utåt i axelbredd när du landar på mattan.

SÄTESSTUDS



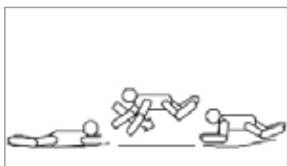
1. Landa i ett plant sittande läge.
2. Lägg händerna på mattan intill höfterna.
3. Återgå till stående läge genom att stöta från med händerna.

MAGSTUDS



1. Stå rakt och sträck armarna rakt upp.
2. Landa på magen med händerna och armarna utsträckta framåt.
3. Stöt ifrån dig mattan med armarna så att du kommer tillbaka till stående läge.

180° VÄNDNING



1. Börja i läge för magstuds.
2. Stöt mattan ifrån dig med vänster eller höger hand (beroende på i vilken riktning du vill vrida dig)
3. Vrid huvudet och axlarna i samma riktning. Håll ryggen parallell med mattan och huvudet uppåt.
4. Landa på magen igen. Stöt ifrån dig mattan med båda händerna och armarna så att du kommer tillbaka till stående läge.

SKÖTSEL OCH UNDERHÅLL

Studsmattan har konstruerats och tillverkats hantverksmässigt med kvalitetsmaterial. Om studsmattan hanteras och underhålls på rätt sätt förlängs dess livslängd och risken för skador minskar. Följ nedanstående anvisningar: Denna studsmatta är konstruerad för att motstå en viss vikt och för att användas på ett visst sätt. De som använder studsmattan ska bära strumpor eller vara barfota. Håll djur borta från studsmattan för att undvika revor och skador på mattan. Kontrollera om mattan är sliten eller om det finns lösa eller saknade delar varje gång du ska använda studsmattan. Under vissa omständigheter är skaderisken större, i synnerhet:

- Om det finns revor, sprickor eller hål i mattan.
- Om mattan är slapp.
- Om sömmen är lös eller mattan är sliten.
- Om delar av stommen är böjd eller trasig, till exempel benen.
- Kontrollera att alla muttrar och skruvar är åtdragna och dra åt vid behov
- Kontrollera att alla fjäderbelastade (hålstift) leder fortfarande är intakta och inte kan lossna under lek.
- Kontrollera alla överdrag och vassa kanter och byt ut om nödvändigt
- Utomhusstudsmattor bör vara utrustade med en anordning som förhindrar att de flyttar på sig vid starka vindförhållanden (t.ex. stålstänger i marken eller tyngder som sandpåsar eller vatten-säckar) och delar som utgör vindfång såsom nät och matta bör tas bort.
- I vissa länder kan snöbelastningen och den mycket låga temperaturen under vinterperioden skada studsmattan. Man bör ta bort snön och förvara mattan och inhängnaden inomhus;
- Kontrollera att mattan, stoppningen och inhängnaden är felfria.
- Se till att karborrbanden är korrekt fästa när studsmattan används.
- Spara underhållsbruksanvisningen.
- Undersök studsmattan före varje användning. Kontrollera att säkerhetsnätet är fäst ordentligt, att studsmattan är hel och att kantskyddet är placerat på rätt sätt. Byt ut slitna, trasiga eller saknade delar.



OBS! OM DU UPPTÄCKER NÅGOT AV OVANSTÅENDE ELLER ANNAT SOM KAN UTGÖRA RISK FÖR PERSONSKADA MÅSTE STUDSMATTAN DEMONTERAS ELLER STÄLLAS ÅT SIDAN OCH FÅR INTE ANVÄNDAS TILLS PROBLEMET/-EN HAR LÖSTS.

FÖRVARING

Om studsmattan inte ska användas under en längre period, till exempel under vinterhalvåret, ska den monteras ned och förvaras i ett torrt utrymme i skydd från väder och vind.

UNDERHÅLLSKRAV FÖR NÄTINHÄNGNAD

Din studsmattans näthinhängnad är tillverkat av UV-resistent material. Trots detta är utsätts nätet för utomhuselementen inklusive solljus, vind, regn och vilda djur. Nätet som omger studsmattan måste kontrolleras före varje användning. Detta inkluderar, men är inte begränsat till, att inspektera nätet avseende sprickor, överdrivet slitage, sprödhet, och töjning. Inspektera även alla anslutningar och hela inhängnadens totala skick. Nätet måste omedelbart bytas ut om det uppvisar några tecken på slitage, skada, töjning, sprickbildning, löshet, sprödhet eller försämrat skick i övrigt. Följande underhållsschema måste följas:

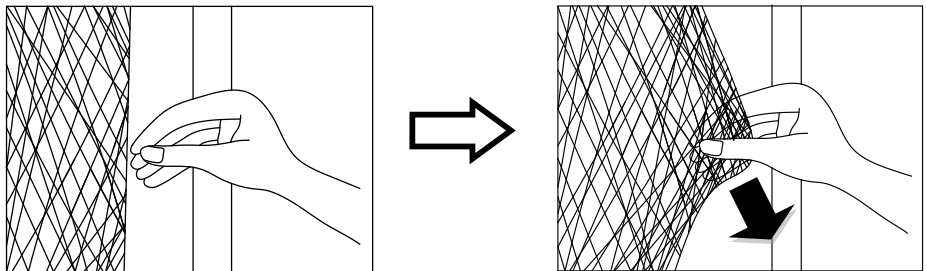
1 till 6 månader	6 till 18 månader	18 till 36 månader
Inspektera inhängnaden (nät, näthängare och remmar) före varje användning.	Noggrann inspektion av nät, näthängare och remmar avseende UV skador före varje användning.	Noggrann inspektion av nät, näthängare, remmar, blixtlås, band och snoddar före varje användning. Byt ut efter 36 månader eller tidigare vid behov.

DET REKOMMENDERAS ATT NÄTET BYTS UT ÅRLIGEN VID NORMAL ANVÄNDNING, ÄVEN OM DET INTE VISAR NÅGRA SYNLIGA TECKEN PÅ SKADA.

Hur man inspekterar studsmattans nät för korrekt användning

Kontrollera alltid näthinhängnaden avseende tecken på UV-skada, försämring, sprödhet, sprickbildning, och revor varje gång innan du använder studsmattan och inhängnaden.

Steg 1 - Inspektera näthinhängnaden före VARJE användning avseende slitage genom att klämma på och dra en del av nätet mellan fingrarna och dra det nedåt. Se nedanstående diagram.



Om det uppstår någon reva, sprickbildning eller rivande ljud är nätet osäkert och **MÅSTE** omedelbart tas ner. **SLUTA ANVÄNDA STUDSMATTANS INHÄGNAD OM DU FINNER NÅGRA TECKEN PÅ SLITAGE ELLER REVOR PÅ NÄTET.**

Steg 2 - Gå runt studsmattans hela omkrets för att visuellt kontrollera den avseende materialförsämring eller andra skador.

UNDERHÅLLSKRAV FÖR STUDSMATTANS DYNA

Gå runt studs mattans hela omkrets för att visuellt kontrollera den avseende materialförsämring, revor, löshet, försämrad elasticitet eller andra skador på mattan.

REKLAMATIONSRÄTT

Enligt gällande lag ska produkten vid reklamation lämnas in på inköpsstället och originalkvitto bifogas. Användaren är ansvarig för eventuella skador på produkten om produkten använts till ändamål den inte är avsedd för eller om bruksanvisningen inte följts. Reklamationsrätten gäller i sådant fall inte.



INFORMATION OM MILJÖFARLIGT AVFALL

Uttjänt produkt ska hanteras separat från hushållsavfall och lämnas in för återvinning enligt lokala regler för avfallshantering



Takk for att du valt att
köpa en produkt från Rusta!



Läs igenom hela bruksanvisningen
innan montering och användning!

Trampoline, ø244 cm

Les bruksanvisningen nøye og sørg for at produktet monteres, brukes og vedlikeholdes riktig i henhold til instruksjonene. Ta vare på bruksanvisningen for fremtidig bruk.

- Bare til hjemmebruk.
- Dette leketøyet er ment for utendørsbruk.
- Ikke passende for barn mindre enn 3 år.
- Maksimal belastning: 50 kg.
- Bare en bruker av gangen. Kollisjonsrisiko.
- Produktens mål: ø244 cm x H60 cm.



OBS! Sikkerhetsnett og kantbeskyttelse skal alltid brukes på Rustas trampoliner.

INTRODUKSJON

- Les nøye gjennom og overhold informasjonen i denne håndboken før du bruker trampolinen.
- Som med annen fritidsaktivitet, er det risiko for skader. Pass på at du følger sikkerhetsforskriftene og rådene for å unngå skader.
- Feil bruk av denne trampolinen innebærer en risiko og kan resultere i alvorlige skader!
- Trampoliner er fjærende verktøy som får utøveren til å oppnå uvanlige høye høyder og forskjellige posisjoner.
- Sjekk om trampolinen er slitt, eller om det er løse eller manglende deler hver gang før bruk.
- Denne håndboken inneholder monteringsanvisninger, råd for stell og vedlikehold, sikkerhetsregler, advarsler og korrekte hoppeteknikker. Alle som bruker trampolinen og er i dens nærhet, må være kjent med disse instruksjonene. De som velger å bruke trampolinen må være klar over sine begrensninger når det gjelder hoppeteknikk.

ADVARSEL!

**Hopp bare en person om gangen.
Hvis flere personer bruker trampolinen
samtidig, er det økt risiko for skader.**



SIKKERHETSFORSKRIFTER

- Les alle instruksjoner, advarsler og råd om stell, vedlikehold og bruk før du bruker trampolinen for å unngå skader. Det er fare for personskader hvis disse instruksjonene ikke følges.
- Trampolinen eier og ansvarlig person er ansvarlig for at alle som bruker trampolinen er gjort kjent med informasjonen i denne håndboken.
- Sørg for at det er nok plass til å hoppe høyt. Fritt rom på minst 8 meter over bakken anbefales. Sørg for at det er minst 2 fritt rom rundt sidene.
- Plasser trampolinen på et område med flatt underlag og god belysning.
- Advarsel. Trampolinen skal monteres av en voksen i henhold til monteringsveiledningen og deretter kontrolleres før første gangs bruk.
- Advarsel. Lukk alltid nettåpningen før du begynner å hoppe.
- Advarsel. Hopp uten sko.
- Advarsel. Hopp alltid i midten av matten.
- Advarsel. Tøm lommer og hender før du hopper.
- Advarsel. Ikke spis mens du hopper.
- Advarsel. Hopp ikke ned fra trampolinen.
- Advarsel. Bruk ikke matten når den er våt.
- Advarsel. Bruk ikke trampolinen kontinuerlig (ta regelmessige avbrekk).
- Advarsel. Sikkerhetsnett bør byttes ut hvert tredje år.
- Advarsel. Bruk ikke under sterke vindforhold, og sikre trampolinen.
- Advarsel. Trampolinen er ikke beregnet for å graves ned i bakken.
- Trampolinen skal ikke plasseres på betong, asfalt eller annet hardt underlag, og må heller ikke komme i konflikt med andre installasjoner (f.eks. bassenger, dissesetativer, rutsjebaner, klatrestativer).
- Eventuelle modifikasjoner som gjøres med den opprinnelige trampolinen (f.eks. montering av tilbehør), skal skje i henhold til produsentens instruksjoner.

- Klatre forsiktig når du går av eller på trampolinen. Det utgjør en risiko å hoppe fra trampolinen og ned på bakken eller å hoppe opp på trampolinen. Ikke bruk trampolinen som et springbrett til å hoppe opp på andre gjenstander.
- Ikke bruk trampolinen rett etter å ha spist.
- Ikke bruk trampolinen hvis du er trøtt og sliten. Bare hopp i korte intervaller.
- Oppbevar trampolinen på en sikker måte når den ikke er i bruk. Hvis det brukes stige for å komme opp på trampolinen, skal den fjernes av de som har ansvar for trampolinen før de forlater området, slik at uvedkommende ikke kan bruke den.
- Hold gjenstander som kan komme i veien for den som hopper, borte fra trampolinen. Hold området rundt trampolinen fritt.
- Ikke bruk trampolinen hvis du har drukket alkohol eller tatt legemiddel.
- Ta kontakt med en kyndig instruktør for informasjon om hoppeøvelser.
- Ikke bruk trampolinen hvis duken er våt, skadet, skitten eller slitt. Kontroller trampolinen før den brukes.



ADVARSEL!

Dersom instruksjonene ikke følges kan det føre alvorlig skade på person eller eiendom.

Sjekk att sikkerhetsnettet er slitt eller om det finnes løse eller savnede deler hver gang du skal bruke trampolinen. Under visse forhold er skaderisikoen større, spesielt:

- Om det finnes sprekker eller hull i sikkerhetsnettet, dets tilbehør eller trampolinen.
- Om sikkerhetsnettet er slappt.
- Om sømmen er løs eller sikkerhetsnettet er slitt.
- Om deler av stammen er bøyd eller ødelagt, for eksempel beina.
- Om der finnes ødelagte, skadete eller savnede fjær.
- Om kantbeskyttelsen ikke brukes, er ødelagt eller feil montert.
- Om visse deler stikker ut (spesielt de med spisse kanter) på stammen, fjærene eller tampolinen.

OBS!

HVIS DU OPPDAGER FORHOLD SOM NEVNT OVER, ELLER NOE ANNET DU MENER KAN SKADE EN HOPPER, MÅ TRAMPOLINEN DEMONTERES ELLER SIKRES SLIK AT DEN IKKE KAN BRUKES FØR PROBLEMET ER LØST.

PLASSERING AV TRAMPOLINEN

Det bør være fritt rom på minst 8 meter over trampolinen og minst 2 meter rundt sidene av trampolinen. Pass på at det ikke er noen farlige gjenstander som greiner, andre gjenstander (gyngestoler eller basseng), kabler, murer, gjerder etc. i nærheten av trampolinen. Vurder følgende når du plasserer trampolinen:

- Trampolinen skal plasseres på et jevnt underlag.
- Området skal være lyst eller opplyst.
- Det må ikke være noen gjenstander under trampolinen.
- Ingen uvedkommende skal bruke trampolinen når den ikke er i bruk.
- Duken må være tørr. Hopp aldri på en våt duk.
- Det må være vindstille. Ikke hopp når det blåser.

Den ansvarlige personen må informere de som skal bruke trampolinen om de forskrifter som er angitt i denn håndboken. Den ansvarlige personen må være en voksen. Denne må alltid være i nærheten når trampolinen benyttes.

VINDFULLE FORHOLD

Sterk vind kan få trampolinen til å blåse avgårde. Hvis det er meldt sterk vind, må trampolinen oppbevares på et beskyttet sted eller demonteres. Du kan også surre fast trampolinens avrundede ytterkant (toppskinnen) i bakken ved hjelp av tau og pæler. Sikre den på minst tre steder. Det er ikke nok å bare sikre tramponlinebenene, ettersom disse kan dras ut av rammeholderen.

FLYTTE TRAMPOLINEN

Minst to personer er nødvendig for å flytte trampolinen. Tape alle skjøter med værbestandig tape, f.eks. duct tape. Dette hjelper rammen med å opprettholde formen og hindrer delene fra å bevege seg og separeres. Flytt trampolinen ved å løfte den opp og bær den horisontalt til bakken. Ved øvrig transport må trampolinen demonteres.

BRUKSANVISNING

- Gjør deg først kjent med hvordan det føles å hoppe på trampolinen. Fokuser på grunnleggende kroppsstillinger og øv på hvert hopp (grunnleggende hopp) til du kan utføre dem på en kontrollert måte.
- Avbryt et hopp ved å bøye knærne når føttene berører duken. Øv deg på dette når du lærer deg grunnleggende hopp. Bruk alltid denne teknikken hvis du mister balansen, eller mister kontrollen over hoppet.
- Lær deg først det enkleste hoppet og sørg for at du mestrer det før du begynner å øve på de mer avanserte hoppene. Et kontrollert hopp innebærer at du begynner et hopp og lander på samme punkt på duken. Hvis du prøver deg på mer avanserte hopp før du mestrer det enkle, er det fare for at du skader deg.
- Ikke hopp for lenge, da trøtthet øker risikoen for skader. Hopp derfor bare en kort stund, og la deretter andre hoppe! Hopp bare en person om gangen.
- Klatre forsiktig av og på trampolinen for å unngå skader. Kom deg opp i trampolinen ved å gripe tak i rammen og klatre eller rulle over kanten, fjærne og deretter opp på duken. Ta alltid tak i rammen når du klatrer av eller på trampolinen. Ikke ta tak i eller klatre på kantbeskyttelsen.
- Kom deg av trampolinen ved å gripe tak i rammen og klatre ned på bakken. Hjelp barn med å komme seg av og på trampolinen.
- Ikke hopp ned fra trampolinen, da det øker risikoen for skade. Det er viktig å ha selvkontroll og være i stand til å mestre hoppene for å unngå skader. Prøv aldri å hoppe høyere enn noen andre! Ikke bruk trampolinen uten at noen holder tilsyn.

HOPPER

- Det er viktig å beholde kontrollen når du hopper. Ikke utfør mer avanserte øvelser før du mestrer grunnleggende hopp. Kunnskap om trampolinen er også viktig for å hindre skader. Les gjennom, studer og anvend alle sikkerhetsinstruksjoner før du bruker trampolinen.

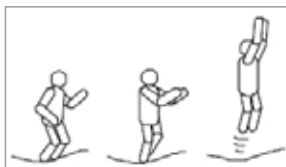
- Et kontrollert hopp innebærer at du begynner et hopp og lander på samme punkt på duken. Hopp alltid i midten av trampolinen.
- Lukk alltid sikkerhetsnettåpningen ordentlig før du begynner å hoppe.
- De som bruker trampolinen må ikke bære harde eller skarpe gjenstander.
- Klatre forsiktig og kontrollert av trampolinen. Hopp aldri av trampolinen og bruk den heller ikke til å hoppe opp på andre gjenstander.
- Ikke hopp for lenge og hopp aldri flere høye hopp på rad.
- Fokuser øynene på duken for enklere kontroll over hoppene. Ellers er det en risiko for at du mister balansen, eller mister kontrollen over hoppet.
- Barn skal alltid holdes under tilsyn når de bruker trampolinen.

TILSYNSPERSON

- Ansvarlig person / tilsynsperson må forstå og anvende alle sikkerhetsinstruksjonene og retningslinjene i denne håndboken. Den ansvarlige personen har ansvaret for å gi råd og veilede alle som bruker trampolinen. Hvis det ikke er noen som kan holde et øye med de som hopper, skal trampolinen oppbevares på et skjermet sted, demonteres for å hindre uautorisert bruk eller dekkes med en presenning. Ansvarlig person har også ansvaret for at sikkerhetsskiltet settes på trampolinen og at de som hopper får informasjon om sikkerheten.
- Det må alltid være noen som holder tilsyn med den som hopper, uansett personens alder eller erfaring.

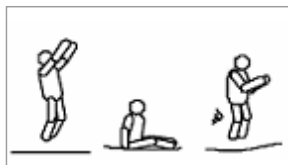
GRUNNLEGGENDE HOPPA PÅ TRAMPOLINE

GRUNNHOPP



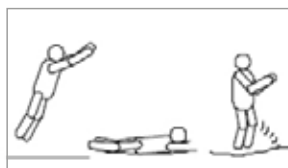
1. Begynn i startposisjon og ha føttene i skulderbreddes avstand, hodet rett frem og øynene på trampolinen.
2. Før armene fremover, oppover og rundt i en sirkelbevegelse.
3. Samle føttene mens du er oppe i luften. La tærne peke nedover.
4. Før føttene ut i skulderbreddes avstand når du lander på trampolinen.

SETEHOPP



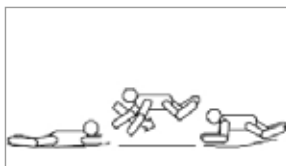
1. Land i en flat sittende stilling.
2. Legg hendene på matten inntil hoftene
3. Kom tilbake til stående stilling ved å presse fra med hendene.

MAGEHOPP



1. Stå rett og strekk armene rett opp.
2. Land på magen med hender og armer utstrakt foran deg.
3. Støt trampolinen fra deg med armene så du kommer tilbake til stående stilling..

180 GRADERS VENDING



1. Begynn i posisjonen til magehopp.
2. Støt trampolinen fra deg med venstre eller høyre hånd (avhengig av hvilken retning du ønsker å vri deg).
3. Vri hodet og skuldrene i samme retning. Hold ryggen parallelt med trampolinen og løft hodet.
4. Land på magen igjen. Støt trampolinen fra deg med begge hender og armer så du kommer tilbake til stående stilling.

STELL OG VEDLIKEHOLD

Denne trampolinen er konstruert og produsert av kvalitetsmateriale og ut fra grundig fagkunnskap. Hvis den holdes i orden og vedlikeholdes på riktig måte, kan du bruke og ha glede av den i mange år, samtidig som du reduserer risikoen for ulykker. Følg anvisningene nedenfor: Trampolinen er konstruert for å tåle en maksvekt på 100 kg. Du må bruke sokker, gymsko eller være barføtt når du hopper på trampolinen. Unngå at dyr kommer opp på trampolinen, da de kan skade duken og seg selv. Før bruk skal du alltid kontrollere at trampolinen ikke er skadet, eller at det ikke er deler som mangler. Det finnes mange situasjoner som kan øke risikoen for skader. Vær spesielt oppmerksom på:

- Punkteringer, hull eller riftskader i duken.
- Duk som henger ned.
- Løse sømmer eller andre forringelser av duken.
- Bøyde eller ødelagte rammedeler, f.eks. beina.
- Kontroller at alle muttere og skruer er strammet, og stram om nødvendig.
- Kontroller at alle fjærbelastede ledd (med ringbolt) fremdeles er intakte og ikke kan komme ut av posisjon under lek.
- Kontroller alle deksler og skarpe kanter, og bytt dem om nødvendig.
- Utendørs trampoliner skal være utstyrt med utstyr som unngår at de flytter på seg i vinden (f. eks stålpluggen ned i bakken eller belastning som sekker med sand eller vann) og/eller utstyr som kan fange vind, for eksempel nett, og duken bør tas av.
- I enkelte land kan tung snø og svært lave temperaturer om vinteren skade trampolinen. Det anbefales å fjerne snø og oppbevare duken og sikkerhetsnettet innendørs.
- Kontroller at duk, polstring og sikkerhetsnett ikke har noen skader.
- Kontroller at borrelåsfestene er lukket på riktig måte mens trampolinen er i bruk.
- Ta vare på bruksanvisningen.
- Undersøk trampolinen før bruk. Kontroller at sikkerhetsnettet er ordentlig festet, at trampolinen er hel og at kantbeskyttelsen er riktig plassert. Bytt ut slitte, ødelagte eller manglende deler.



OBS! OM DU UPPTÄCKER NÅGOT AV OVANSTÅENDE ELLER ANNAT SOM KAN UTGÖRA RISK FÖR PERSONSKADA MÅSTE STUDSMATTAN DEMONTERAS ELLER STÄLLAS ÅT SIDAN OCH FÅR INTE ANVÄNDAS TILLS PROBLEMET/-EN HAR LÖSTS.

OPPBEVARING

Hvis trampolinen ikke er i bruk over en lengre periode, for eksempel i vintermånedene, skal den demonteres og oppbevares på et tørt sted beskyttet mot vær og vind.

KRAV TIL VEDLIKEHOLD AV SIKKERHETSNETT

Sikkerhetsnettet er produsert i UV-bestendig materiale. Til tross for dette utsettes nettet for utendørs elementer som sollys, vind, regn og dyreliv. Sikkerhetsnettet på trampolinen må kontrolleres før hver gangs bruk. Dette omfatter, men er ikke begrenset til å kontrollere at nettet ikke har fått sprekker eller for stor slitasje, eller at materialene har blitt sprø eller strekker seg. Kontroller at alle koblinger og hele sikkerhetsnettet er komplett. Nettet må erstattes umiddelbart ved alle tegn til slitasje, skade, strekk, sprekker, løshet, sprøhet eller andre tegn til at det ikke er komplett. Følgende vedlikeholdsplan skal følges:

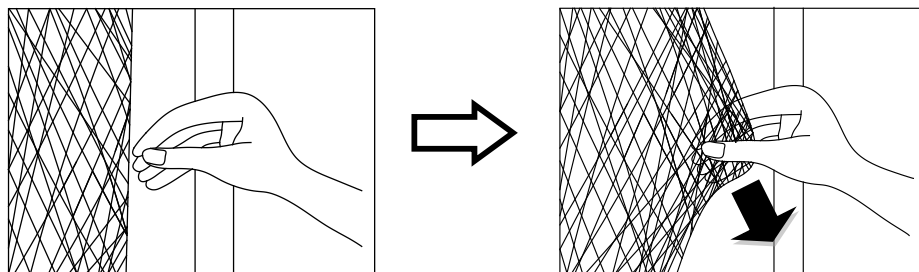
1 til 6 måneder	6 til 18 måneder	18 til 36 måneder
Kontroller sikkerhetsnettet (nett, oppheng og stropper) før hver gangs bruk.	Se nøye etter UV-skader på nett, opp-heng og stropper før hver gangs bruk.	Kontroller nett, opp-heng, stropper, glide-låser, knuter og tau før hver gangs bruk. Bytt etter 36 måneder eller tidligere om nødvendig.

DET ANBEFALES AT NETTET BYTTES ÅRLIG VED NORMAL BRUK, SELV OM DET IKKE FINNES SYNLIGE TEGN PÅ SKADER.

Hvordan kontrollere sikkerhetsnettet for riktig bruk

Kontroller alltid sikkerhetsnettet for UV-skader, nedbryting, sprøhet, sprekker og revner før hver gangs bruk av trampolinen og sikkerhetsnettet.

Trinn 1 – Kontroller sikkerhetsnettet for slitasje før HVER gangs bruk ved å gripe tak i en del av nettingen med to fingre og dra den nedover. Se diagrammet nedenfor.



Hvis det kommer rifter eller det høres ut som om den sprekker eller revner, er ikke nettet sikkert og **MÅ** tas ned umiddelbart. **SLUTT Å BRUKE SIKKERHETSNETTET HVIS DU OPPDAGER TEGN TIL SLITASJE PÅ ELLER REVNER I NETTINGEN.**

Trinn 2 – Gå en runde rundt hele trampolinen for å se etter tegn til materialslitasje eller andre skader.

KRAV TIL VEDLIKEHOLD AV TRAMPOLINEDUK

Gå en runde rundt hele trampolinen for å se etter tegn til materialslitasje, revner, løshet, tapt elastisitet eller andre skader på duken.

REKLAMASJONSRETT

I henhold til gjeldende lov skal produktet ved reklamasjon leveres inn på kjøpsstedet med maskinstemplet kvittering vedlagt. Brukeren er ansvarlig for eventuelle skader på produktet dersom produktet brukes til noe annet enn det som er tiltenkt, eller dersom bruksanvisningen ikke følges. I slike tilfeller bortfaller reklamasjonsretten.



INFORMASJON OM FARLIG AVFALL

Utslitt produkt skal ikke kastes i husholdningsavfall, men leveres til gjenvinning i henhold til lokale regler for avfallshåndtering.



Danke, dass du dich für den Kauf eines Produktes von Rusta entschieden hast!



Vor der Montage und Benutzung die gesamte Gebrauchsanleitung durchlesen!

Trampolin, ø244 cm

Lies die Gebrauchsanleitung sorgfältig durch. Achte darauf, dass das Produkt gemäß der Gebrauchsanleitung installiert, verwendet und gewartet wird. Bewahre die Gebrauchsanweisung für eine evtl. spätere Verwendung auf.

- Nur für den Hausgebrauch.
- Dieses Spielzeug ist für die Verwendung im Freien vorgesehen.
- Für Kinder unter 3 Jahren nicht geeignet.
- Höchstbelastung: 50 kg.
- Nur jeweils ein Benutzer. Kollisionsgefahr.
- Maße: ø244cm x H 60 cm.



ACHTUNG! Sicherheitsnetz und Randschutz sollen immer für Trampoline von Rusta verwendet werden.

EINLEITUNG

- Lies die Informationen dieser Anleitung sorgfältig durch und beachte diese, bevor du das Trampolin benutzt.
- Wie auch bei anderen Freizeitaktivitäten besteht Verletzungsgefahr. Achte darauf, dass du die Sicherheitshinweise und Ratschläge befolgst, um Verletzungen zu vermeiden.
- Die falsche Anwendung des Trampolins birgt Risiken und kann zu schweren Verletzungen führen.
- Trampoline sind federnde Geräte, bei denen der Benutzer ungewöhnliche Höhen erreicht und in verschiedene Positionen gelangt.
- Überprüfe vor jedem Gebrauch, ob die Matte verschlissen ist oder ob es lose bzw. beschädigte Teile gibt.

WARNHINWEIS!

**Es darf nur jeweils 1 Person springen!
Wenn mehrere Personen gleichzeitig das Trampolin benutzen, besteht ein erhöhtes Verletzungsrisiko.**



- Diese Anleitung beinhaltet Montageanleitungen, Empfehlungen für Pflege und Wartung, Sicherheitsvorschriften, Warnhinweise und richtige Sprungtechniken. Alle Benutzer und sich in der Nähe befindenden Personen müssen sich mit diesen Gebrauchsanleitungen vertraut machen. Die Benutzer des Trampolins müssen sich ihrer Grenzen bezüglich der Sprungtechnik bewusst sein.

SICHERHEITSVORSCHRIFTEN

- Vor der Anwendung des Trampolins bitte alle hier aufgeführten Anweisungen, Warnungen und Empfehlungen für Pflege, Wartung und Gebrauch durchlesen, um Verletzungen und Schäden zu vermeiden. Bei Nichtbefolgung der Anweisungen besteht Verletzungsgefahr.
- Der Eigentümer und die verantwortliche Person des Trampolins müssen dafür sorgen, dass alle Benutzer des Trampolins die Informationen dieser Gebrauchsanleitung kennen.
- Achte darauf, dass genügend Platz vorhanden ist, um hoch zu springen. Ein Freiraum von mindestens 8 Metern vom Boden aus wird empfohlen. Achte darauf, dass an den Seiten mindestens 2 Meter freier Platz vorhanden ist.
- Stelle das Trampolin in einen Bereich mit ebenem Untergrund und guter Beleuchtung auf.
- Achtung. Das Trampolin muss durch eine erwachsene Person entsprechend den Aufbauanleitungen zusammengebaut und anschließend vor der ersten Nutzung überprüft werden.
- Achtung. Immer in der Mitte der Sprungmatte springen.
- Achtung. Ohne Schuhe springen.
- Achtung. Vor dem Springen immer die Netzöffnung schließen.
- Achtung. Vor dem Springen Taschen und Hände leeren.
- Achtung. Während des Springens nicht essen.
- Achtung. Das Trampolin nicht mit einem Sprung verlassen.
- Achtung. Nicht benutzen, wenn die Sprungmatte nass ist.
- Achtung. Die Dauer der ununterbrochenen Benutzung begrenzen (regelmäßige Pausen einlegen).
- Warnhinweis. Das Sicherheitsnetz sollte alle drei Jahre ausgetauscht werden.
- Achtung. Bei Starkwindbedingungen das Trampolin sichern und nicht benutzen.

- Das Trampolin ist nicht für das Versenken in den Boden bestimmt.
- Das Trampolin darf weder auf Beton, Asphalt oder auf ähnlich harten Oberflächen aufgestellt werden, noch in der Nähe störender Objekte (z. B. Planschbecken, Schaukeln, Rutschen, Klettergerüsten. Jegliche kundenseitigen Umbauten am Originaltrampolin (z. B. das Hinzufügen von Zubehör) sind nach Herstellerangaben auszuführen.
- Steige vorsichtig auf das oder vom Trampolin. Das Springen vom Trampolin auf den Boden oder auf das Trampolin stellt eine Gefahr dar. Verwende das Trampolin nicht als Sprungbrett, um auf andere Objekte zu springen.
- Verwende das Trampolin nicht direkt nach dem Essen.
- Verwende das Trampolin nicht, wenn du müde bist. Springe nur in kurzen Abständen.
- Achte darauf, dass das Trampolin bei Nichtgebrauch sicher aufbewahrt wird. Wenn zum Erreichen des Trampolins eine Leiter benutzt wird, muss diese beim Verlassen des Trampolins von der verantwortlichen Person entfernt werden, um die Benutzung durch Unbefugte zu verhindern.
- Halte Gegenstände, die dem Springenden in den Weg kommen könnten, vom Trampolin entfernt. Halte den Bereich um das Trampolin herum frei.
- Verwende das Trampolin nicht nach der Einnahme von Alkohol oder Medikamenten.
- Für Informationen über Sprungübungen wendest du dich bitte an einen sachkundigen Trainer.
- Verwende das Trampolin nicht, wenn die Matte nass, beschädigt, schmutzig oder verschlissen ist. Überprüfe vor Gebrauch das Trampolin.



WARNHINWEIS!

Wenn die Vorschriften nicht befolgt werden, kann ein Unfall zu gravierenden Verletzungen oder Sachschäden führen.

Überprüfe vor jedem Gebrauch, ob das Sicherheitsnetz verschlissen ist oder ob es lose bzw. beschädigte Teile gibt. Unter gewissen Umständen ist das Schadensrisiko höher, insbesondere:

- Wenn sich Risse, Brüche oder Löcher im Sicherheitsnetz befinden.
- Wenn das Sicherheitsnetz an Elastizität verliert.
- Wenn sich die Nähte lösen oder das Sicherheitsnetz verschlissen ist.
- Wenn Teile des Rahmens verbogen oder defekt sind, z. B. die Beine.
- Wenn es kaputte, beschädigte oder fehlende Teile gibt.
- Wenn der Randschutz nicht verwendet wird, kaputt ist oder falsch montiert wurde.
- Wenn Teile am Rahmen, an den Federn oder dem Trampolin herausragen (insbesondere solche mit scharfen Kanten).

PLATZIERUNG DES TRAMPOLINS

Der Luftraum über dem Trampolin sollte mindestens 8 Meter und der Abstand um das Trampolin herum mindestens 2 Meter betragen. Achte darauf, dass sich keine gefährlichen Gegenstände, wie Äste, andere Objekte (z. B. Schaukeln oder Swimmingpools), Kabel, Wände, Zäune etc. in der Nähe des Trampolins befinden. Beachte beim Aufstellen des Trampolins Folgendes:

- Das Trampolin muss auf einen ebenen Untergrund gestellt werden.
- Der Bereich sollte hell oder beleuchtet sein.
- Es dürfen sich keine Gegenstände unter dem Trampolin befinden.
- Unbefugte sollten bei Nichtgebrauch das Trampolin nicht anwenden können.
- Die Matte muss trocken sein. Springe niemals auf einer nassen Matte.
- Es muss windstill sein. Springe nicht, wenn der Wind stark weht.

Der Verantwortliche muss die Benutzer des Trampolins über die Vorschriften in dieser Gebrauchsanleitung informieren. Der Verantwortliche muss eine erwachsene Person sein. Diese muss bei der Benutzung des Trampolins immer anwesend sein.

STARKER WIND

Starker Wind kann das Trampolin wegwehen. Wird starker Wind erwartet, muss das Trampolin an einem geschützten Ort aufbewahrt oder abgebaut werden. Es ist auch möglich, das runde Außenteil (oberes Querteil) am Boden mithilfe von Seilen und Pflöcken festzubinden. Sichere es an mindestens drei Stellen. Es reicht nicht, nur die Beine des Trampolins am Boden festzubinden, weil diese aus den Muffen im Rahmen gerissen werden können.

TRANSPORT DES TRAMPOLINS

Für den Transport des Trampolins sind mindestens zwei Personen erforderlich. Umwickle alle Verbindungsteile mit wetterbeständigem Klebeband, z. B. silberfarbenedes Duck Tape. Auf diese Weise kann der Rahmen zusammengehalten werden und es wird verhindert, dass sich die Teile bewegen und getrennt werden. Um das Trampolin zu verrücken, wird es leicht vom Boden gehoben und horizontal zum Boden getragen. Für jede andere Transportart sollte das Trampolin zuvor zerlegt werden.

ANWENDUNGSHINWEISE

- Mache dich zunächst damit vertraut, wie es sich anfühlt, auf dem Trampolin zu springen. Konzentriere dich auf die grundlegenden Körperstellungen und übe jeden Sprung (Grundsprung), bis du diese leicht kontrolliert ausführen kannst.
- Um einen Sprung abzubrechen, musst du die Knie beugen, wenn die Füße die Matte berühren. Übe das, wenn du die Grundsprünge erlernst. Verwende diese Technik immer, wenn du das Gleichgewicht oder die Kontrolle über den Sprung verlierst.
- Erlerne zunächst den einfachsten Sprung und achte darauf, dass du diesen beherrscht, bevor du fortgeschrittenere, schwierigere Sprünge übst. Ein kontrollierter Sprung bedeutet, dass du diesen am gleichen Punkt der Matte beginnst und beendest. Wenn du schwierigere Sprünge übst, bevor du die einfacheren beherrscht, besteht Verletzungsgefahr.
- Vermeide es, längere Zeit auf dem Trampolin zu springen, weil Ermüdung die Verletzungsgefahr erhöht. Springe deshalb nur kurz und lasse dann andere springen. Es darf nur jeweils eine Person springen.
- Steige vorsichtig auf das bzw. vom Trampolin, um Verletzungen zu vermeiden. Um auf das Trampolin zu steigen, fasse den Rahmen an und klettere oder rolle dich über den Rand, die Federn und dann nach oben auf die Matte. Fasse immer den Rahmen an, wenn du auf- oder absteigst.
- Fasse den Randschutz nicht an und klettere nicht auf diesen. Um vom Trampolin abzusteigen, halte dich am Rahmen fest und klettere dann auf den Boden. Hilf Kindern beim Auf- oder Absteigen.
- Springe niemals vom Trampolin, da dies die Verletzungsgefahr erhöht. Selbstkontrolle und das Beherrschen der Sprünge sind wichtig, um Verletzungen zu vermeiden. Versuche nie höher als andere zu springen! Verwende das Trampolin nicht ohne Aufsicht einer weiteren Person.

SPRINGER

- Wenn du springst, ist es wichtig, die Kontrolle zu behalten. Führe keine fortgeschritteneren Sprünge aus, bevor du die Grundsprünge nicht beherrschst. Das Wissen über das Trampolin ist ebenso wichtig, um Verletzungen zu vermeiden.
- Ein kontrollierter Sprung bedeutet, dass du diesen am gleichen Punkt der Matte beginnst und beendest. Für weitere Sicherheitshinweise wendest du dich bitte an einen sachkundigen Trainer.
- Ein kontrollierter Sprung bedeutet, dass du diesen am gleichen Punkt der Matte beginnst und beendest. Springe immer in der Mitte des Trampolins.
- Schließe vor dem Springen immer ordnungsgemäß die Öffnung des Sicherheitsnetzes.
- Der Benutzer des Trampolins darf keine harten oder spitzen Gegenstände bei sich tragen.
- Klettere vorsichtig und kontrolliert auf das Trampolin. Springe niemals vom Trampolin und verwende es auch nicht dazu, um auf andere Objekte zu springen.
- Springe nicht zu lange und führe nicht mehrere sehr hohe Sprünge in Folge aus.
- Konzentriere deinen Blick auf die Matte, um eine einfachere Kontrolle über den Sprung zu haben. Ansonsten besteht die Gefahr, dass du Gleichgewicht und Kontrolle verlieren.
- Kinder müssen bei der Verwendung des Trampolins immer beaufsichtigt werden.

AUFSICHTSPERSON

- Die verantwortliche Person/Aufsichtsperson muss alle Sicherheitshinweise und Richtlinien dieser Gebrauchsanleitung verstehen und anwenden. Die verantwortliche Person muss Ratschläge erteilen und alle Benutzer des Trampolins in den Gebrauch einweisen. Findet sich keine Person, die die Aufsicht über den Trampolinbenutzer übernehmen kann, muss das Trampolin an einem geschützten Ort aufbewahrt und abgebaut werden, um zu verhindern, dass Unbefugte das Trampolin verwenden. Es kann auch mit einer Plane abgedeckt werden. Die verantwortliche Person muss auch dafür sorgen, dass die Sicherheitsplakette auf dem Trampolin angebracht wird und dass die Springer Sicherheitshinweise erhalten.
- Unabhängig vom Alter und der Erfahrung des Springenden muss dieser jederzeit von einer weiteren Person beaufsichtigt werden.

GRUNDLEGENDE TRAMPOLINSPRÜNGE

GRUNDSPRUNG



1. Beginne in der Ausgangsposition mit den Füßen schulterbreit auseinander, den Kopf nach vorn gerichtet und die Augen auf das Trampolin.
2. Bringe die Arme nach vorn, nach oben und dann in eine kreisförmige Bewegung.
3. Führe die Füße zusammen, während du in der Luft bist. Die Zehenspitzen zeigen nach unten.
4. Bei der Landung auf der Matte die Füße in Schulterbreite auseinanderhalten.

SITZSPRUNG



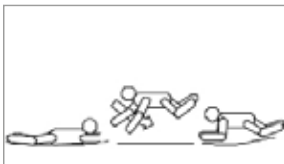
1. Lande in einer flachen Sitzposition.
2. Stütze dich mit den Händen neben den Hüften ab.
3. Gehe in die stehende Position zurück, indem du dich mit den Händen abstützt.

BAUCHSPRUNG



1. Stehe gerade und strecke die Arme gerade nach oben.
2. In Bauchlage, mit Händen und Armen nach vorne gestreckt, landen.
3. Stoße dich mit den Armen von der Matte, sodass du in die stehende Position zurückkehrst.

180° DREHUNG



1. Beginne in der Bauchsprungposition.
2. Mit der linken oder rechten Hand und dem Arm abstoßen (je nachdem, in welche Richtung man sich drehen möchte).
3. Drehe Kopf und Schultern in die gleiche Richtung. Halte den Rücken parallel zur Matte und den Kopf nach oben.
4. Lande wieder auf dem Bauch. Stoße dich mit beiden Händen und Armen von der Matte ab, sodass du in die stehende Position zurückkehrst.

WARTUNG UND PFLEGE

Das Trampolin wurde aus Qualitätsmaterial in Handarbeit entworfen und hergestellt. Bei ordnungsgemäßem Umgang und richtiger Wartung verlängert sich die Lebensdauer des Trampolins und Schäden werden so reduziert. Befolgen Sie unten stehende Anweisungen. Dieses Trampolin ist für die Anwendung einer bestimmten Art und Weise konstruiert und so, dass es einem bestimmten Gewicht standhält. Der Benutzer sollte Strümpfe tragen oder barfuß sein. Halten Sie das Trampolin außerhalb der Reichweite von Haustieren, um Risse oder andere Schäden am Tuch zu vermeiden. Überprüfen Sie vor jedem Gebrauch, ob die Matte verschlissen ist oder ob es lose bzw. beschädigte Teile gibt. Unter gewissen Umständen ist das Schadensrisiko höher, insbesondere:

- Wenn sich Risse, Brüche oder Löcher in der Matte befinden.
- Wenn die Matte an Elastizität verliert.
- Wenn sich Nähte lösen oder die Matte verschlissen ist.
- Wenn Teile des Rahmens verbogen oder defekt sind, z. B. die Beine.
- Es ist zu überprüfen, ob alle Muttern und Schrauben fest angezogen sind, und bei Bedarf sind sie nachzuziehen.
- Es ist zu überprüfen, dass alle federbelasteten Verbindungen (Sperrbolzen) unbeschädigt sind und sich während des Spielens nicht lösen können.
- Alle Abdeckungen und scharfen Kanten sind zu überprüfen; bei Bedarf sind die entsprechenden Teile auszutauschen
- Überprüfung und Instandhaltung der wichtigsten Teile (Rahmen, Verspannung, Sprungmatte, Polsterung und Sicherheitsnetz) lenken, zu Beginn jeder Saison sowie in regelmäßigen Intervallen; es muss darauf hingewiesen werden, dass das Trampolin bei fehlender Überprüfung zu einer Gefahr werden könnte.
- Freiluft-Trampoline sollten mit einer Vorrichtung ausgestattet sein, die ein Verschieben durch Wind bei Starkwindbedingungen verhindert (z. B. Stahlanker im Erdboden oder Gewichte wie Sand- oder Wassersäcke) und/oder windfangende Elemente, wie Netz und Sprungmatte sollten entfernt werden.
- In bestimmten Ländern kann das Trampolin durch Schneelast und sehr niedrige Temperaturen während der Winterperiode beschädigt werden. Es wird empfohlen, den Schnee vom Trampolin zu entfernen und Sprungmatte sowie Sicherheitsnetz im Innenbereich aufzubewahren;
- Sprungmatte, Polsterung und Sicherheitsnetz sind auf Defekte zu prüfen;
- Kontrolliere das Trampolin vor jedem Gebrauch. Überprüfe, ob das Sicherheitsnetz sicher befestigt, das Trampolin unbeschädigt und der Kantenschutz richtig angebracht ist. Tausche abgenutzte, defekte oder fehlende Teile aus.

ACHTUNG! WENN DU EINE DER OBEN AUFGEFÜHRTEN GEFAHREN ENTDECKST ODER ETWAS ANDERES, DAS EINE VERLETZUNGSGEFAHR DARSTELLT, MUSS DAS TRAMPOLIN ZERLEGT ODER BEISEITE GESTELLT UND DARF BIS ZUR BEHEBUNG DES PROBLEMS/DER PROBLEME NICHT MEHR BENUTZT WERDEN.



AUFBEWAHRUNG

Wenn das Trampolin längere Zeit nicht benutzt wird, z. B. in den Wintermonaten, sollte es abgebaut und in einem trockenen Bereich, geschützt vor Wetter und Wind, aufbewahrt werden.

WARTUNGSANFORDERUNGEN FÜR DAS TRAMPOLINNETZ

Das Trampolinnetz wurde aus UV-beständigem Material hergestellt. Dennoch ist das Netz der Witterung, wie etwa der Sonne, Wind, Regen und der Tierwelt ausgesetzt. Das Netz, welches das Trampolin umgibt, muss vor jedem Gebrauch überprüft werden. Dazu gehört unter anderem die Überprüfung des Netzes auf Risse, übermäßige Abnutzung, Brüchigkeit und Dehnung, wobei sich die Untersuchung nicht allein darauf beschränkt. Prüfe auch alle Verbindungen und die gesamte Anlage auf generelle Unversehrtheit. Das Netz muss, wenn es irgendwelche Anzeichen von Verschleiß, Beschädigung, Dehnung, Risse, Schlawheit, Brüchigkeit oder andere Beeinträchtigungen der Unversehrtheit aufweist, sofort ersetzt werden. Der folgende Wartungsplan muss befolgt werden:

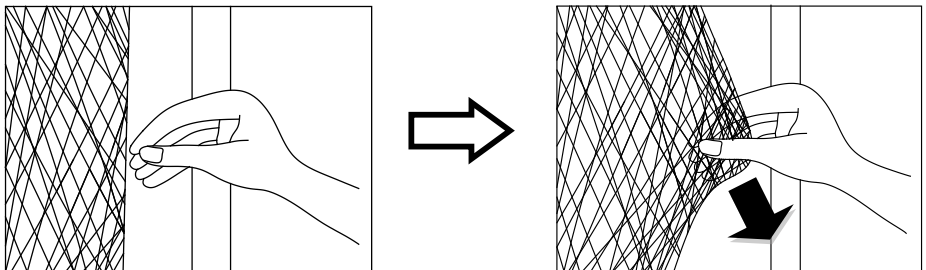
1 bis 6 Monate	6 bis 18 Monate	18 bis 36 Monate
Prüfe vor jedem Gebrauch das Sicherheitsnetz (Netz, Netzhalterung und Gurte).	Prüfe das Netz, die Netzhalterung und Gurte vor jedem Gebrauch sorgfältig auf Schäden durch UV-Licht.	Prüfe vor jedem Gebrauch sorgfältig das Netz, die Netzhalterung, Gurte, Reißverschlüsse, Bänder und Schnüre. Ersetze diese nach 36 Monaten, oder falls erforderlich früher.

ES WIRD EMPFOHLEN, DAS NETZ BEI NORMALER NUTZUNG JÄHRLICH ZU ERSETZEN, AUCH WENN ES KEINE SICHTBAREN ANZEICHEN EINER BESCHÄDIGUNG ZEIGT.

Wie man das Trampolinnetz für eine ordnungsgemäße Nutzung prüft

Überprüfe jedes Mal vor dem Gebrauch des Trampolins und des Sicherheitsnetzes die Einhängevorrichtung des Netzes und das Netz auf Anzeichen von UV-Schäden, Verschlechterung, Brüchigkeit, Risse und Verschleiß.

1. Schritt - Prüfe das Sicherheitsnetz vor JEDEM Gebrauch auf Abnutzung, indem du ein Stück des Netzes zwischen die Finger klemmst und nach unten ziehst. Siehe dazu die Abbildung unten.



Wenn dies zu einem Riss oder Bruch oder einem Reißgeräusch führt, dann ist das Netz nicht sicher und MUSS sofort abgenommen werden.

VERWENDE DAS TRAMPOLIN-SICHERHEITSNETZ NICHT WEITER, WENN DU IRGENDWELCHE ANZEICHEN VON VERSCHLEIß AM NETZ SIEHST.

2. Schritt - Gehe um das ganze Trampolin herum, um eine Sichtprüfung auf Materialverschlechterung oder Schäden vorzunehmen.

WARTUNGSANFORDERUNG FÜR TRAMPOLIN-RANDABDECKUNG

Gehe um das gesamte Trampolin herum, um eine Sichtprüfung der Randabdeckung auf Materialverschlechterung, Risse, Lockerheit, Elastizitätsverlust oder andere Schäden im Polster durchzuführen.

REKLAMATIONSRECHT

Nach geltendem Recht wird das Gerät bei Reklamation in die Verkaufsstelle zurückgebracht. Der Originalbeleg muss beigelegt werden. Für Schäden, die durch nicht bestimmungs- und unsachgemäßen Gebrauch entstanden sind, ist der Käufer verantwortlich. In diesen Fällen verliert das Reklamationsrecht seine Gültigkeit.



INFORMATIONEN ÜBER UMWELTGEFÄHRLICHEN ABFALL

Dieses Produkt darf am Ende seiner Lebensdauer nicht über den normalen Haushaltsabfall entsorgt werden, sondern muss je nach den kommunalen Bestimmungen für Abfallbeseitigung einem Sammelpunkt für das Recycling von elektrischen und elektronischen Geräten übergeben werden.



Kiitos Rusta-tuotteen ostamisesta!



Lue koko käyttöohje ennen kokoamista ja käyttämistä!

Trampoliini, ø244 cm

Lue käyttöohje huolellisesti. Varmista, että tuote asennetaan oikein ja että sitä pidetään kunnossa ohjeissa edellytettävällä tavalla. Säilytä käyttöohje tulevaa käyttöä varten.

- Vain kotikäyttöön.
- Tämä lelu on tarkoitettu ulkokäyttöön.
- Ei sovellu alle 3-vuotiaille lapsille.
- Enimmäiskuormitus: 50 kg.
- Vain yksi käyttäjä kerrallaan. Törmäysriski.
- Tuotteen mitat: ø244 cm × K 60 cm.



Huomautus! Turvaverkkoa ja reunasuojaa on käytettävä aina Rusta-trampoliinien käytön yhteydessä.

JOHDANTO

- Lue tämän käyttöoppaan tiedot huolellisesti ja varmista, että ymmärrät ohjeet ennen trampoliinin käyttöä.
- Kuten muuhunkin vapaa-ajan toimintaan, myös trampoliinin käyttöön liittyy loukkaantumisriski. Varmista, että noudatat turvamääräyksiä ja -ohjeita vahinkojen välttämiseksi.
- Trampoliinin väärinkäyttö on vaarallista ja voi aiheuttaa vakavia vammoja.
- Trampoliinit ovat jousitettuja, minkä ansiosta käyttäjä voi nousta epätavallisen korkealle ja päätyä erilaisiin asentoihin.
- Tarkista aina, kun haluat käyttää trampoliinia, onko matto kulunut ja onko trampoliinissa löysiä tai irtonaisia osia tai puuttuuko siitä osia.
- Tämä opas sisältää asennusohjeita, hoito- ja huolto-ohjeita, turvallisuusmääräyksiä, varoituksia ja tietoa oikeista hyppyteknikoista. Jokaisen, joka käyttää trampoliinia tai on lähellä sitä, on tutustuttava näihin käyttöohjeisiin. Trampoliinin käyttäjien on oltava tietoisia käyttämiensä hyppyteknikoiden rajoituksista.

VAROITUS!

**Vain yksi henkilö saa hypätä kerrallaan!
Jos useat ihmiset käyttävät trampoliinia samaan aikaan, vaurioiden/vammojen riski lisääntyy.**



TURVALLISUUSOHJEET

- Ennen kuin käytät trampoliinia, lue vammojen estämiseksi kaikki tämän oppaan ohjeet, varoitukset ja neuvot, jotka koskevat hoitoa, huoltoa ja käyttöä. Jos alla olevia ohjeita ei noudateta, se aiheuttaa tapaturmariskin.
- Trampoliinin omistaja ja siitä vastaava henkilö ovat vastuussa siitä, että jokainen trampoliinia käyttävä on tietoinen tämän oppaan sisältämistä tiedoista.
- Varmista, että trampoliinin yläpuolella on tarpeeksi tilaa hypätä korkealle, vähintään 8 metriä maasta. Varmista, että sivuilla on vähintään 2 metriä vapaata tilaa.
- Aseta trampoliini alueelle, jossa on tasainen alusta ja hyvä valaistus.
- Varoitus: Aikuisen tulee koota trampoliini asennusohjeiden mukaisesti ja tarkastaa se ennen ensimmäistä käyttökertaa.
- Varoitus: Sulje aina verkon aukko ennen hyppimistä.
- Varoitus: Hypi ilman kenkiä.
- Varoitus: Hypi aina keskellä mattoa.
- Varoitus: Tyhjennä taskut ennen hyppimistä. Älä pidä mitään kädessä hyppiessäsi.
- Varoitus: Älä syö hyppiessäsi.
- Varoitus: Älä poistu trampoliinista hyppäämällä.
- Varoitus: Älä käytä mattoa, kun se on märkä.
- Varoitus: Rajoita jatkuvan käytön aikaa (pidä taukoja säännöllisesti).
- Varoitus: Turvaverkko tulee vaihtaa joka kolmas vuosi.
- Varoitus: Älä käytä trampoliinia kovassa tuulessa. Kiinnitä trampoliini.
- Varoitus: Trampoliinia ei saa kaivaa maahan.
- Trampoliinia ei saa asentaa betonille, asfaltille tai muulle kovalle alustalle eikä muiden vastaavien rakenteiden läheisyyteen (esim. kahluualtaat, keinut, liukumäet tai kiipeilytelineet).

- Kaikki kuluttajan alkuperäiseen trampoliiniin tekemät muutokset (esim. lisävarusteen liittäminen) on suoritettava valmistajan ohjeiden mukaisesti.
- Kiipeä varovasti, kun nouset trampoliinille ja laskeudut siltä. On vaarallista hypätä trampoliinista maahan tai hypätä trampoliiniin. Älä käytä trampoliinia ponnahduslautana, jonka kautta hyppäät muiden kohteiden päälle.
- Älä käytä trampoliinia heti syötyäsi.
- Älä käytä trampoliinia, jos olet väsynyt. Hyppele vain lyhyitä aikoja.
- Varmista, että trampoliini säilytetään turvallisessa paikassa silloin, kun sitä ei käytetä. Jos trampoliinissa käytetään nousutikkaita, trampoliinin käytöstä vastaavan henkilön on poistettava tikkaat aina, kun hän poistuu trampoliinin luota, jotta luvattomat henkilöt eivät voi käyttää sitä.
- Varmista, että kaikki esineet, jotka voisivat olla hyppivän henkilön tiellä, ovat etäällä trampoliinista. Pidä trampoliinin ympärillä oleva alue vapaana esineistä.
- Älä käytä trampoliinia, jos olet juonut alkoholia tai käyttänyt huumeita.
- Jos haluat tietoja hyppyharjoituksista, ota yhteys kokeneeseen ohjaajaan.
- Älä käytä trampoliinia, jos matto on märkä, vahingoittunut, likainen tai kulunut. Tarkasta trampoliini ennen sen käyttöä.



VAROITUS!

Jos ohjeita ei noudateta, voi tapahtua onnettomuus, josta voi aiheutua vakava henkilö- tai omaisuusvahinko.

Tarkista aina, kun haluat käyttää trampoliinia, onko turvaverkko kulunut ja onko trampoliinissa löysiä tai irtonaisia osia tai puuttuuko siitä osia. Joissain tilanteissa loukkaantumisen vaara on normaalia suurempi, erityisesti jos:

- turvaverkossa, sen varusteissa tai matossa on repeämiä, viiltoja tai reikiä.
- turvaverkko on löysällä.
- saumat ovat löysällä tai turvaverkko on kulunut.
- rungossa on taipuneita tai vaurioituneita osia, esimerkiksi jalat.
- jousia on rikkoutunut, vaurioitunut tai puuttuu.
- reunasuojus ei ole käytössä tai se on rikki tai väärin koottu.
- rungosta, jousista tai trampoliinista törröttää osia (erityisesti teräväreunaisia).

JOS HUOMAAT JONKIN EDELLÄ MAINITUISTA SEIKOISTA TAI JOTAIN MUUTA, JOKA VOISI AIHEUTTAA LOUKKAANTUMISRISKIN, TRAMPOLIINI ON PURETTAVA TAI SIIRRETTÄVÄ POIS, EIKÄ SITÄ SAA KÄYTTÄÄ, ENNEN KUIN ONGELMA(T) ON RATKAISTU.

TRAMPOLIININ SIJOITUSPAIKKA

Trampoliinin yläpuolella tulee olla vähintään 8 metriä tilaa ja ympärillä vähintään 2 metriä. Varmista, ettei trampoliinin lähellä ole vaarallisia esineitä, kuten oksia, muita esineitä (esim. keinuja tai altaita), kaapeleita, seiniä, aitoja tai vastaavia. Muista seuraavat asiat, kun päätät trampoliinin sijoituspaikan:

- Trampoliini on sijoitettava tasaiselle alustalle.
- Alueen on oltava valoisa tai valaistu.
- Trampoliinin alla ei saa olla mitään esineitä.
- Ihmisten ei pitäisi pystyä käyttämään trampoliinia ilman lupaa, kun se ei ole käytössä.
- Maton on oltava kuiva. Älä koskaan hypi märällä matolla.
- Ilman pitäisi olla tyyni. Älä hypi tuulisella säällä.

Vastuuhenkilön on ilmoitettava kaikille trampoliinia käyttäville tässä oppaassa esitetystä säännöistä. Vastuuhenkilön on oltava aikuinen. Hänen on oltava aina läsnä, kun trampoliini on käytössä.

TUULISET OLOSUHTEET

Voimakas tuuli voi viedä trampoliinin mukanaan. Jos odotettavissa on voimakasta tuulta, vie trampoliini suojaisaan paikkaan tai pura se. Voit myös sitoa trampoliinin pyöristetyn ulkoreunan (yläkisko) maahan köysillä ja paaluilla. Kiinnitä se ainakin kolmesta kohdasta. Älä kiinnitä pelkästään trampoliinin jalkoja, sillä ne voivat irrota rungon kiinnikkeistä.

TRAMPOLIINIIN SIIRTÄMINEN

Trampoliinin siirtämiseen tarvitaan vähintään kaksi henkilöä. Teippaa kaikki liitännäspisteet ilmastointiteipillä tai muulla säänkestävällä teipillä. Tämä auttaa pitämään rungon ehjänä ja estää osia liikkumasta ja irtoamasta. Trampoliinia siirrettäessä se on nostettava ylös ja pidettävä vaakatasossa. Kaikkea muunlaista kuljetusta varten trampoliini täytyy purkaa.

KÄYTTÖOHJEET

- Totuttele ensin siihen, miltä trampoliinilla hyppääminen tuntuu. Keskity kehon perusasentoihin ja harjoittele kutakin hyppyä (perushyppyjä), kunnes osaat tehdä ne helposti ja hallitusti.
- Lopeta hyppy taivuttamalla polvia, kun jalkasi koskettavat mattoa. Harjoittele tätä, kun opettelet perushyppyjä. Käytä aina tätä tekniikkaa, jos menetät tasapainon tai hypyn hallinnan.
- Opettele perushyppy ensin ja varmista, että hallitset sen, ennen kuin harjoittele vaikeampia hyppyjä. Hallittu hyppy tarkoittaa sitä, että laskeudut matolla samaan kohtaan kuin mistä aloitit hypyn. Jos yrität vaikeampia hyppyjä ennen kuin olet oppinut perusasiat, voit loukata itsesi.
- Älä hypi liian kauan, sillä väsymys lisää loukkaantumisriskiä. Hypi siis vain lyhyen aikaa ja anna sitten muiden kokeilla! Vain yksi henkilö saa hypätä kerrallaan.
- Kiipeä varovasti trampoliinille ja siltä alas vammojen estämiseksi. Kun kiipeät trampoliinille, ota kiinni rungosta ja kiipeä tai pyöräytä itsesi sitten reunan ja jousten yli ja sitten maton päälle. Pidä aina kiinni rungosta, kun kiipeät trampoliinille tai laskeudut trampoliinin päältä. Älä pidä kiinni reunasuojuksesta äläkä kiipeä sen päälle.
- Kun haluat laskeutua trampoliinin päältä, pidä rungosta kiinni ja laskeudu sitten maahan. Auta lapsia pääsemään trampoliinin päälle ja laskeutumaan alas.
- Älä hyppää alas trampoliinin päältä, koska se lisää loukkaantumisen vaaraa. Vammojen välttämiseksi on tärkeää säilyttää hallinta ja pystyä hallitsemaan hypyt. Älä koskaan yritä hypätä korkeammalle kuin muut! Älä käytä trampoliinia ilman valvontaa.

HYPPÄÄJÄ

- Kun hypit, on tärkeää säilyttää hallinta. Älä tee vaikeampia harjoituksia, ennen kuin hallitset perushypyt. Myös trampoliinin tuntemus on tärkeää vammojen estämiseksi. Lue kaikki turvallisuusohjeet läpi, sisäistä ne ja noudata niitä, ennen kuin käytät trampoliinia.
- Hallittu hyppy tarkoittaa sitä, että laskeudut matolla samaan kohtaan kuin mistä aloitit hypyn. Saat lisää turvallisuusohjeita ottamalla yhteyttä kokeneeseen kouluttajaan.

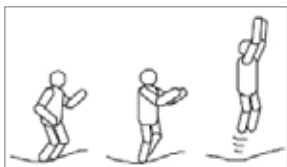
- Varmista, että turvaverkon aukko on kunnolla kiinni, ennen kuin alat hyppiä.
- Trampoliinin käyttäjillä ei saa olla mukanaan kovia tai teräviä esineitä.
- Laskeudu matolta varovasti ja hallitusti. Älä koskaan hyppää alas matolta äläkä hyppää matolta muiden kohteiden päälle.
- Älä hypi liian kauan äläkä koskaan tee useita äärimmäisen korkeita hyppyjä peräkkäin.
- Keskitä huomiosi mattoon, koska siten voit pitää hypyn helpommin hallinnassasi. Muuten saatat menettää tasapainosi tai hyppysi hallinnan.
- Lapsia on aina valvottava, kun he käyttävät trampoliinia.

VALVOJA

- Vastuuhenkilön/valvojan on ymmärrettävä ja sovellettava kaikkia tämän käyttöoppaan turvallisuusohjeita ja -neuvoja. Vastuuhenkilön vastuulla on antaa neuvoja ja opastaa trampoliinin käyttäjiä. Jos kukaan ei voi valvoa hyppääjiä, trampoliinia on säilytettävä purettuna suojaisassa paikassa luvattoman käytön estämiseksi tai pressulla peitettynä.
- Vastuuhenkilön vastuulla on myös varmistaa, että turvamerkki on kiinnitetty trampoliiniin, ja antaa turvaohjeita kaikille trampoliinilla hyppiville.
- Jonkun täytyy aina olla valvomassa hyppijää riippumatta siitä, kuinka vanha tai kokenut tämä on.

TRAMPOLIININ PERUSHARJOITUKSET

HYPPY SEISAALTAAN



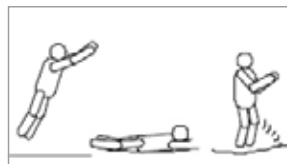
1. Aloita alkuasennosta siten, että jalkasi ovat levällään hartioiden leveydeltä, pää osoittaa eteenpäin ja silmät ovat mattoon suunnattuina.
2. Taivuta käsivarsia eteenpäin, ylöspäin ja ympäri pyöreänä liikkeenä.
3. Tuo jalat yhteen, kun olet ilmassa. Varpaat osoittavat alaspäin.
4. Tuo jalat takaisin hartioiden leveydelle haralleen, kun laskeudut trampoliinille.

HYPPY ISTUALTAAN



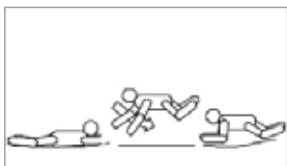
1. Laskeudu istuma-asentoon
2. Aseta kätesi trampoliinille lanteiden viereen.
3. Palaa seisoma-asentoon työntämällä itsesi ylös käsillä.

VATSAHYPPY



1. Seiso suorassa niin, että venytät kätesi pään yläpuolelle.
2. Laskeudu vatsallesi niin, että kädet ja käsivarret ovat venytettyinä eteenpäin.
3. Työnnä itsesi ylös trampoliinilta käsivarsien avulla ja palaa seisoma-asentoon.

180 ASTEEN KIERRE



1. Aloita samassa asennossa kuin vatsahyppy.
2. Työnnä itsesi ylös matosta vasemmalla tai oikealla kädellä (sen mukaan, mihin suuntaan haluat tehdä kierteen).
3. Käännä pääsi ja hartiasi samaan suuntaan. Pidä selkäsi maton suuntaisesti ja pää ylöspäin.
4. Laskeudu jälleen vatsallesi. Työnnä itsesi ylös matosta molemmiin käsiin ja palaa seisoma-asentoon.

HOITO JA KUNNOSSAPITO

Tämä trampoliini on osaavien henkilöiden suunnittelema ja valmistama, ja siinä on käytetty korkealaatuisia materiaaleja. Asianmukainen hoito ja kunnossapito pidentää trampoliinin käyttöikää ja vähentää loukkaantumisten vaaraa. Lue seuraavat ohjeet huolellisesti: Tämä trampoliini on suunniteltu kestämaan tietty paino ja käytettäväksi tietyllä tavalla. Käyttäjien tulee olla paljain jaloin tai vain sukat jalassa. Pidä trampoliini poissa lemmikkien ulottuvilta, jotta trampoliiniin ei tule repeytymiä tai muita vaurioita. Tarkasta trampoliini aina kulumisen tai löysien tai puuttuvien osien varalta ennen käyttöä. Loukkaantumisriski on tietyissä tapauksissa suurempi ja erityisesti, jos:

- Trampoliinissa on repeämiä, halkeamia tai reikiä
- Trampoliini menettää kimmoisuutensa
- Saumat ratkeavat tai trampoliini on kulunut
- Rungossa on taipuneita tai vaurioituneita osia, esimerkiksi jalat.
- Tarkista kaikkien mutterien ja pulttien kireys ja kiristä tarvittaessa
- Tarkista, että kaikki jousikuormitteiset (tappi-) nivelet ovat yhä ehjiä ja että ne eivät voi päästä pois paikoiltaan leikin aikana
- Tarkasta kaikki päällysteet ja terävät reunat ja vaihda tarvittaessa
- Ulkotrampoliinit pitäisi varustaa laitteella, joka voimakkaalla tuulella estää siirtymisen tuulen takia (esim. terästangot maahan tai hiekkapussi tai vesipusseja tai muita vastaavia kuormia), ja/tai verkko ja matto ja muut tuulta ottavat esineet olisi poistettava.
- Joissakin maissa talvikaudella lumikuorma ja erittäin alhainen lämpötila voivat vaurioittaa trampoliinia. On suositeltavaa poistaa lumi ja säilyttää mattoa ja koteloa sisätiloissa.
- Tarkista, että matossa, täyhteessä ja kotelossa ei ole vikoja.
- Varmista, että tarranauhakiinnittimet ovat oikein suljettuina trampoliinin käytön aikana.
- Säilytä huolto-ohjekirja.
- Tarkista trampoliini ennen jokaista käyttökertaa. Varmista, että turvaverkko on kiinnitetty kunnolla, että trampoliini on ehjä ja että reunasuojus on asennettu oikein. Korvaa kuluneet, rikkiinäiset tai puuttuvat osat uusilla.



Tärkeää! JOS HUOMAAT JONKIN EDELLÄ MAINITUISTA SEIKOISTA TAI JOTAIN MUUTA, JOKA VOISI AIHEUTTAA HENKILÖVAHINKORISKIN, TRAMPOLIINI ON PURETTAVA TAI SIIRRETTÄVÄ POIS, EIKÄ SITÄ SAA KÄYTTÄÄ, ENNEN KUIN ONGELMA(T) ON RATKAISTU.

SÄILYTTÄMINEN

Jos trampoliinia ei käytetä pitkään aikaan, esimerkiksi talvella, se tulee purkaa ja säilyttää kuivassa paikassa säältä ja tuulelta suojattuna.

KOTELON VERKKOJA KOSKEVA HUOLTOVAATIMUS

Tämän trampoliinin kotelon verkotus on valmistettu UV-säteilyä kestävästä materiaalista. Tästä huolimatta verkotus altistuu luonnonvoimille, kuten auringonvalolle, tuulelle, sateelle ja villieläimille. Trampoliinia ympäröivä verkko on tarkastettava ennen jokaista käyttöä. Tarkastuksen kuuluu sisältää esimerkiksi verkon tarkastaminen halkeamien, liiallisen kulumisen, haurauden ja venymisen varalta. Tarkasta myös kaikki liitännät ja koko kotelo yleisen eheyden varmistamiseksi. Verkko on vaihdettava välittömästi, jos siinä näkyy merkkejä kulumisesta, vaurioista, venymisestä, halkeilusta, löysyydestä, hauraudesta tai muista eheyttä heikentävistä seikoista. Seuraavaa huoltoaikataulua on noudatettava:

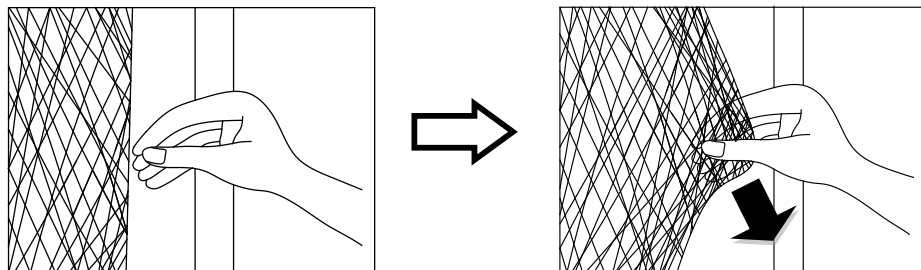
1–6 kuukautta	6–18 kuukautta	18–36 kuukautta
Tarkasta kotelo (verkko, verkon ripustin ja hihnat) ennen jokaista käyttöä.	Verkon, verkon ripustimen ja hihnojen perusteellinen tarkastus UV-vaurioiden varalta ja ennen jokaista käyttöä.	Verkon, verkon ripustimen, hihnojen, vetoketjujen, narujen ja nyörien perusteellinen tarkastus ennen jokaista käyttöä. Vaihda 36 kuukauden jälkeen tai tarvittaessa aiemmin.

ON SUOSITELTAVAA, ETTÄ VERKKO VAIHDETAAN VUOSITTAIN TRAMPOLIININ OLLESSA NORMAALISSA KÄYTÖSSÄ, VAIKKA SIINÄ EI OLISIKAAN NÄKYVIÄ VAURIOITA.

Trampoliinin verkon tarkastaminen asianmukaista käyttöä varten

Tarkasta kotelon verkotus UV-vaurioiden, heikkenemisen, haurauden, halkeilun ja repeytymisen merkkien varalta aina ennen trampoliinin ja kotelon käyttöä.

Vaihe 1 – Tarkasta kotelon verkotus ennen JOKAISTA käyttöä kulumisen varalta puristamalla ja vetämällä jotain verkotuksen osaa sormien välissä ja vetämällä alaspäin. Katso alla olevaa kaaviota.



Jos tällöin ilmenee repeämistä tai halkeilua tai kuuluu repeytymisääntä, verkko on vaarallinen ja se **TÄYTYY** ottaa alas välittömästi. **LOPETA TRAMPOLIININ KOTELON KÄYTTÖ, JOS HUOMAAT VERKOTUKSESSA MERKKEJÄ KULUMISESTA TAI REPEYTYMISESTÄ.**

Vaihe 2 – Kävele koko trampoliinin ympäri ja tarkasta se silmämääräisesti materiaalin heikkenemisen tai muiden vaurioiden varalta.

TRAMPOLIININ PEHMUSTETTA KOSKEVA HUOLTOVAATIMUS

Kävele koko trampoliinin ympäri ja tarkasta pehmuste silmämääräisesti materiaalin heikkenemisen, repeämien, löysyyden, kimmoisuuden häviämisen tai muiden vaurioiden varalta.

REKLAMAATIO-OIKEUS

Voimassaolevan lainsäädännön mukaan reklamaatio on tehtävä toimittamalla tuote ostopaikkaan. Alkuperäinen kuitti on esitettävä. Jos tuotetta on käytetty muuhun kuin sen käyttötarkoitukseen tai käyttöohjetta ei ole noudatettu, käyttäjä on vastuussa mahdollisista vahingoista. Tällöin reklamaatio-oikeus ei ole voimassa.



TIETOJA ONGELMAJÄTTEISTÄ

Kun tuote on tullut elinkaarensa päähän, se on toimitettava kierrätykseen paikallisten määräysten mukaisesti. Sitä ei saa hävittää talousjätteenä.

ASSEMBLY INSTRUCTIONS

All you need to assemble your trampoline is our spring loading tool that is included. It is easy to disassemble and store your trampoline when it is not in use. Read the assembly instructions before starting to assemble the trampoline. You need at least two adults to assemble the trampoline.

BEFORE ASSEMBLY

- Check the names of the parts and their letters in the table below. The names and letters make it easier for you to follow the assembly instructions. Check to make sure you have all the parts that are listed. If any parts are missing, please contact Rusta via www.rusta.se.
- Remember to use protective gloves when assembling your trampoline. This will prevent any crush injuries.

MONTERINGSANVISNINGAR

När du monterar din studsmatta behöver du endast vårt fjäderspänningsverktyg som medföljer. När du inte ska använda studsmattan är den lätt att demontera och förvara. Läs monteringsanvisningarna innan du börjar montera studsmattan. Det behövs minst två vuxna personer för att montera studsmattan.

FÖRE MONTERING

- Kontrollera delarnas namn och bokstäver i tabellen nedan. Namnen och bokstäverna gör det enklare för dig att följa monteringsanvisningarna. Kontrollera att du har alla delar som listas. Om någon del saknas, kontakta Rusta via www.rusta.se.
- Kom ihåg att använda skyddshandskar när du monterar studsmattan. Då undviker du klämskador.

MONTERINGSANVISNING

När du monterer trampolinen, trenger du bare det medfølgende fjærspenningsverktøyet. Hvis du ikke skal bruke trampolinen, er den lett å demontere og oppbevare. Les monteringsanvisningene før du begynner å montere trampolinen. Det er nødvendig med minst to voksne personer for å montere trampolinen.

FØR MONTERING

- Kontroller delenes navn og bokstaver i tabellen nedenfor. Navnene og bokstavene gjør det enklere for deg å følge monteringsanvisningen. Kontroller at du har alle delene som er oppført. Hvis noen del mangler, kontakt Rusta gjennom www.rusta.se.
- Husk å bruke vernehansker når du monterer trampolinen. Da unngår du klemskader.

MONTAGEANLEITUNG

Bei der Montage des Trampolins benötigen Sie nur unseren mitgelieferten Federspanner. Bei Nichtgebrauch lässt sich das Trampolin leicht zerlegen und aufbewahren. Lesen Sie die Montageanleitungen vor der Montage des Trampolins durch. Es sind mindestens zwei Erwachsene bei der Montage des Trampolins erforderlich.

VOR DER MONTAGE

- Überprüfen Sie die Namen und Buchstaben der Teile in der unten stehenden Tabelle. Die Namen und Buchstaben erleichtern es Ihnen, der Montageanleitung zu folgen. Überprüfen Sie, ob alle aufgelisteten Teile vorhanden sind. Fehlt ein Teil, kontaktieren Sie bitte den Rusta Kundendienst unter www.rusta.se.
- Denken Sie daran, während der Montage des Trampolins Schutzhandschuhe zu tragen. Sie vermeiden so Quetschverletzungen.






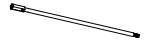

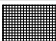
ASENNUSOHJEET

Tarvitset trampoliinin kokoamiseen vain mukana toimitetun jousikuormitustyökalun. Kun trampoliinia ei ole tarkoitus käyttää, se on helppo purkaa ja varastoida. Lue kokoamisohjeet ennen kuin aloitat trampoliinin kokoamisen. Trampoliinin kokoamiseen tarvitaan vähintään kaksi aikuista.

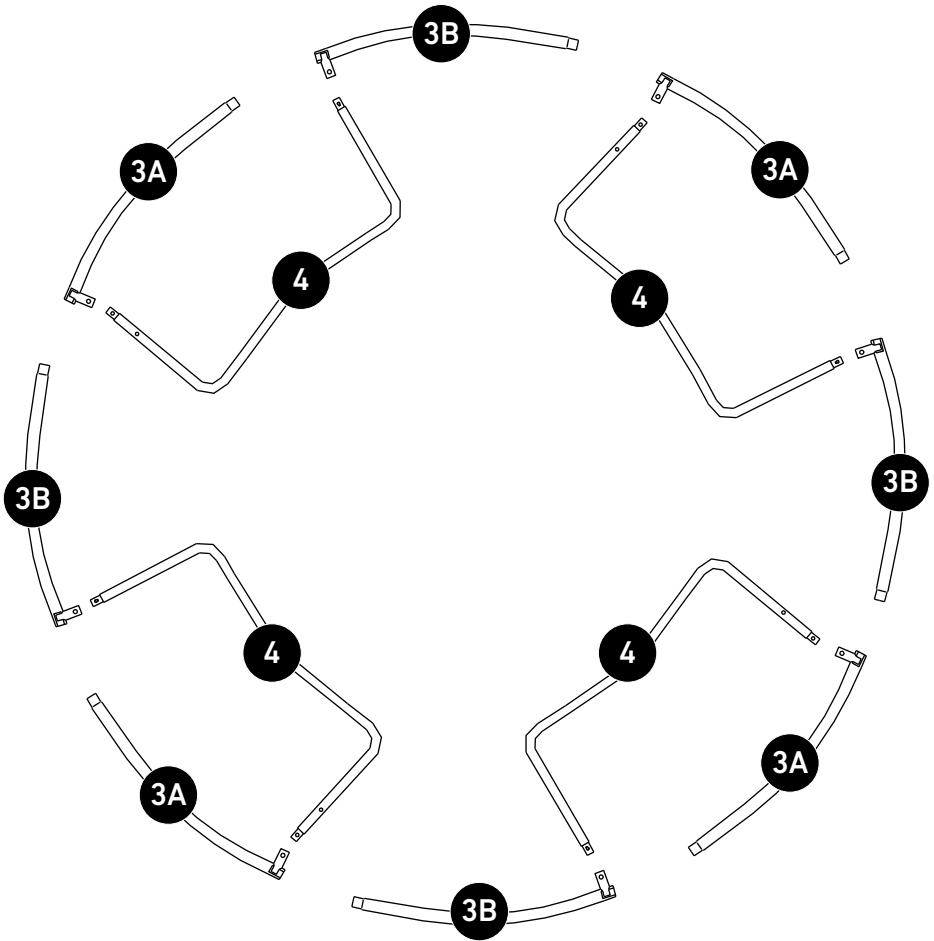
ENNEN KOKOAMISTA

- Katso osien nimet ja niiden kirjaimet alla olevasta taulukosta. Nimien ja kirjainten ansiosta kokoamisohjeita on helpompi seurata. Varmista, että kaikki luetellut osat ovat mukana. Jos jokin osista puuttuu, ota yhteys Rustaan sivuston www.rusta.se kautta.
- Muista käyttää suojakäsineitä, kun kokoat trampoliinia. Siten voit estää musertumisvammat.

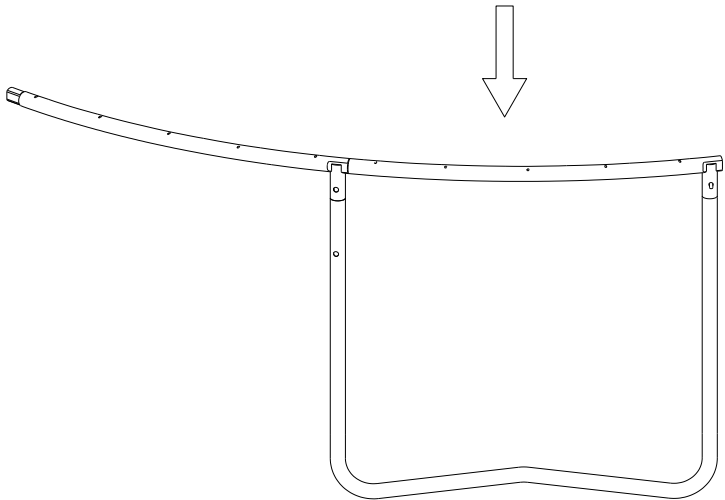
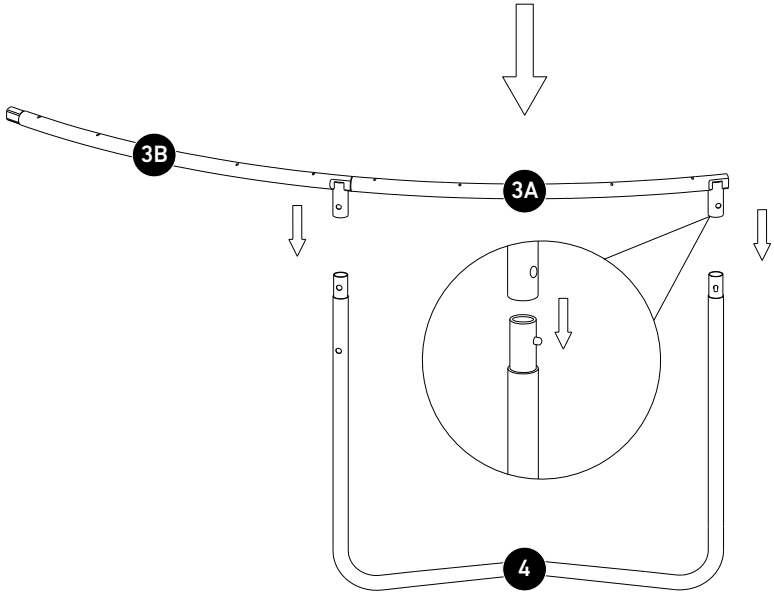
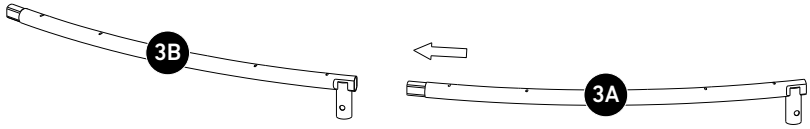
1		Trampoline Mat, stitched with Triangle Rings / Studsmattsmatta, sydd med triangelringer / Trampolineduk med påsydde trekantringer / Trampolin-Sprungmatte, mit Triangel-Ringen vernäht / Trampoliinimatto, ommeltu, kolmioreenkaat	x 1
2		Frame Pad / Ramvadding / Kantpolstring / Rahmenabdeckung (Polster) / Runkopehmuste	x 1
3A		Top Rail with Leg Sockets / Övre räcke med uttag för ben / Toppstang med beinsokler / Obere Schiene mit Ansatzstücken für die Füße / Yläkisko, jossa jalkojen kiinnikkeet	x 4
3B		Top Rail with Leg Sockets / Övre räcke med uttag för ben / Toppstang med beinsokler / Obere Schiene mit Ansatzstücken für die Füße / Yläkisko, jossa jalkojen kiinnikkeet	x 4
4		Leg Base / Benbas / Beinsokkel / Fußunterteil / Jalan kanta	x 4
5		Galvanized Springs / Galvaniserade fjädrar / Galvaniserte fjærer / Verzinkten Federn / Galvanoidut jousest	x 40
6		Bolt / Skruv / Bolt / Schraube / Pultti	x 8
7		Gap Spacer / Distansbricka / Avstandsstykke / Abstandhalter / Rakovälikkappale	x 8
8		Arc Washer / Vågbricka / Buet skive / Gewölbte Unterlegscheibe / Kaarialuslevy	x 8
9		Spring Washer / Fjäderbricka / Fjærskive / Federscheibe / Jousialuslevy	x 8
10		Cap Nut / Kupolmutter / Rundmutter / Deckmutter / Kupumutteri	x 8
11		Wrench / Skiftnyckel / Skiftenøkkel / Kreuzschlüssel / Ruuviavain	x 1
12		Allen Wrench / Insexnyckel / Unbrakonøkkel / Innensechskantschlüssel / Kuusiokoloavain	x 1
13		Spring tool/ Fjäderverktyg / Fjærverktøy/ Federspanner / Jousityökalu	x 1

A		Upper Frame Tube with Foam / Övre ramrör med skum / Øvre ram-mestolpe med skum / Oberes Rahmenrohr mit Schaumstoff / Ylempi runkoputki, jossa vaahtomuovia	x 4
B		Lower Frame Tube with Foam / Undre ramrör med skum / Nedre rammestolpe med skum / Unteres Rahmenrohr mit Schaumstoff / Alempi runkoputki, jossa vaahtomuovia	x 4
C		Self-Locking Screw / Låsskruv / Selvlåsende skruer / Selbstsichernde Schraube / Itselukittuva ruuvi	x 4
D		Plastic Cap / Plastlock / Plasthette / Kunststoffkappe / Muovinen hattu	x 4
E		Cap / Lock / Hette / Kappe / Hattu	x 4
F		Cable Wire / Kabelvajer / Kabelvaier / Drahtseil / Vaijeri	x 8
G		Cord / Sladd / Snor / Schnur / Naru	x 5
H		Enclosure Netting / Näthinhängnad / Sikkerhetsnett / Sicherheitsnetz / Turvaverkko	x 1

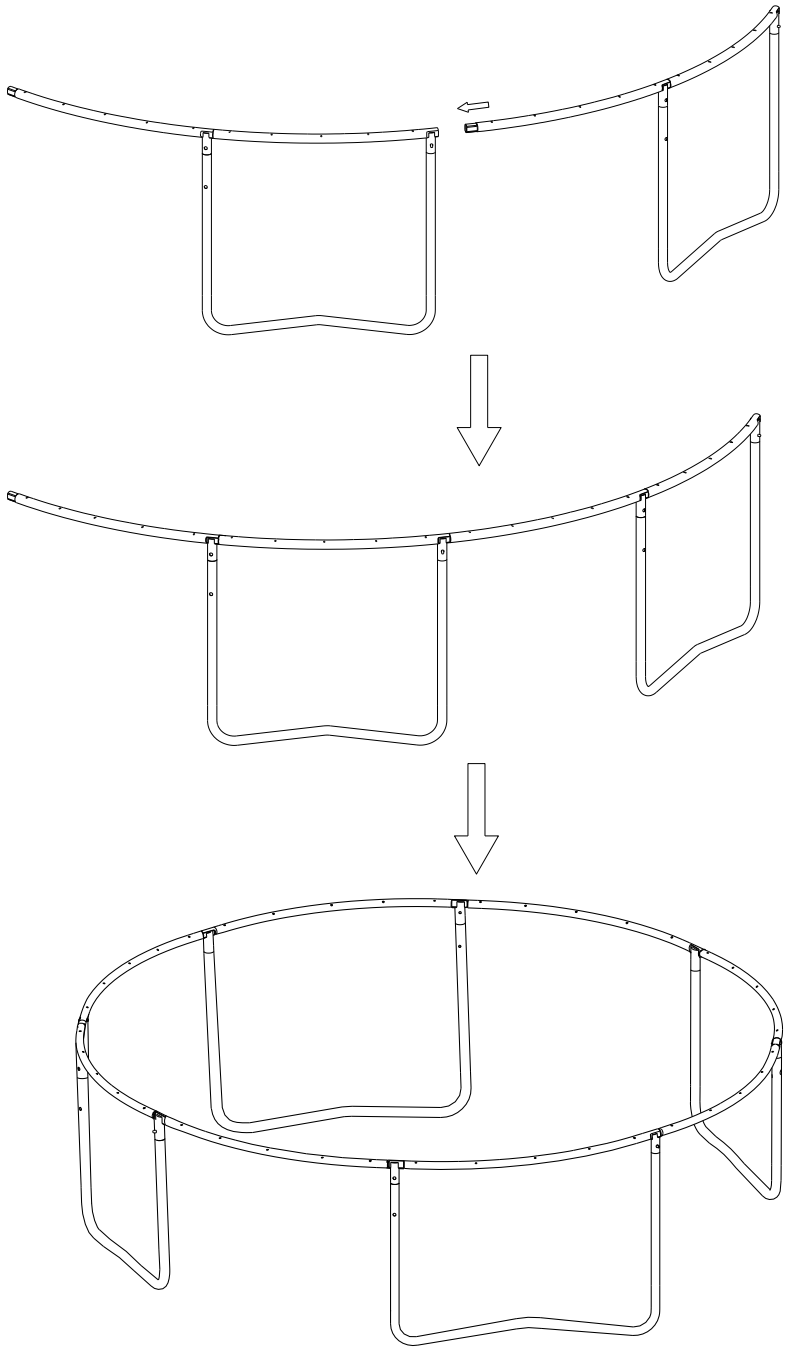
1



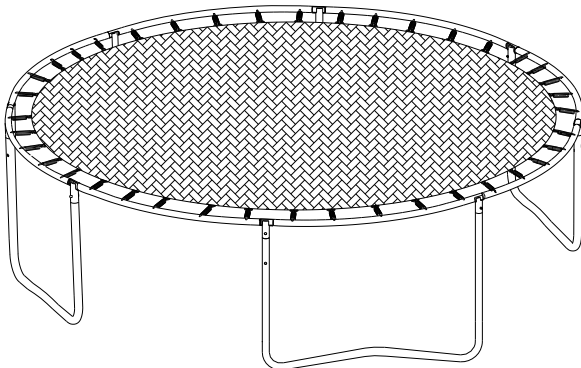
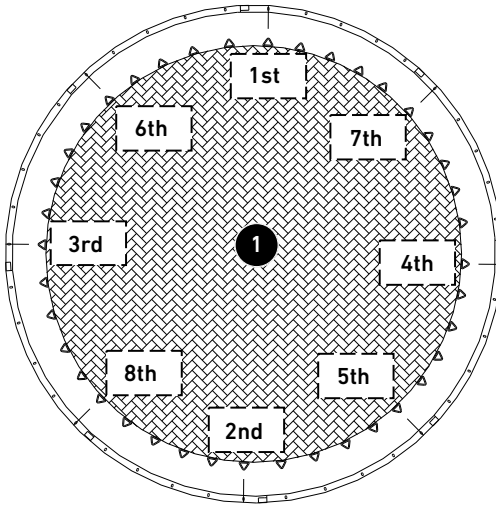
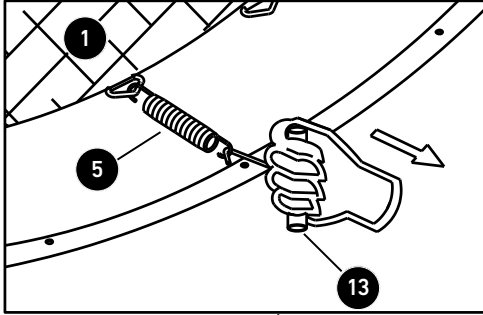
2



3



4



IMPORTANT! Start by attaching two springs opposite each other as per markings 1 and 2 in the diagram. Next, do the same with two new springs, see markings 3 and 4 in the diagram. Attach the springs in order as shown by the markings in the diagram until you have attached 8 springs. By doing this, you can achieve balance in the tension created by the springs. The canvas is kept tight and level, which makes it easier for you when you then attach the remaining springs. The position of some springs may need to be adjusted to ensure the number of springs and attachments match at the end.

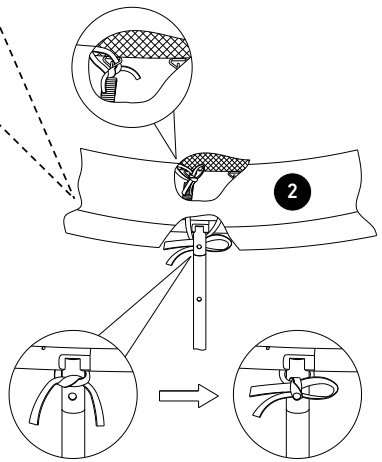
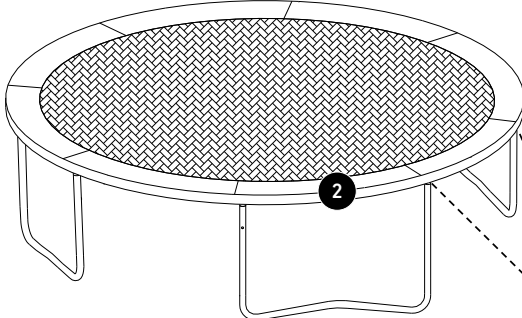
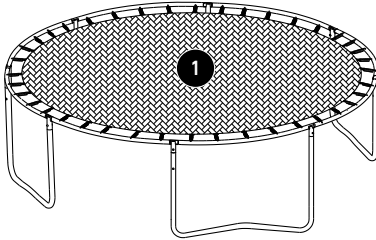
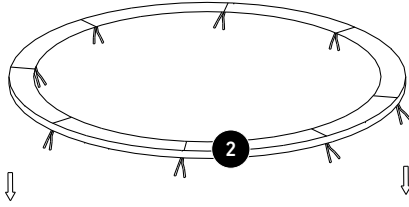
VIKTI! Börja med att fästa två fjädrar mittom varandra enligt markeringarna 1 och 2 på bilden. Därefter gör du likadant med två nya fjädrar, se 3 och 4 på bilden. Fäst fjädrarna i turordning enligt bildens markeringar tills du har fäst 8 fjädrar. Genom att göra på detta sätt så får du balans i spänningen som fjädrarna orsakar. Duken hålls stram och jämn, vilket underlättar för dig när du sedan fäster resterande fjädrar. Placeringen av vissa fjädrar kan behöva korrigeras för att få antalet fjädrar och fästen att stämma överens på slutet.

VIKTI! Start med att fästa två fjädrar mot varandra som vist med markering 1 och 2 på bilden. Gör därefter det samma med två nya kilder, se 3 och 4 på bilden. Fäst fjädrarna i tur och ordning som vist med markeringarna på bilden, till du har fäst 8 fjädrar. När du gör det på denna måten, får du balansert spänningen som fjädrarna skapar. Duken holdes stram och jävn, och dermed blir det enklare när du skal fäste resten av fjädrarna. Du må kanske korrigere placeringen av noen av fjädrarna för å få antallet fjädrar og fester til å stemme överens til slutt.

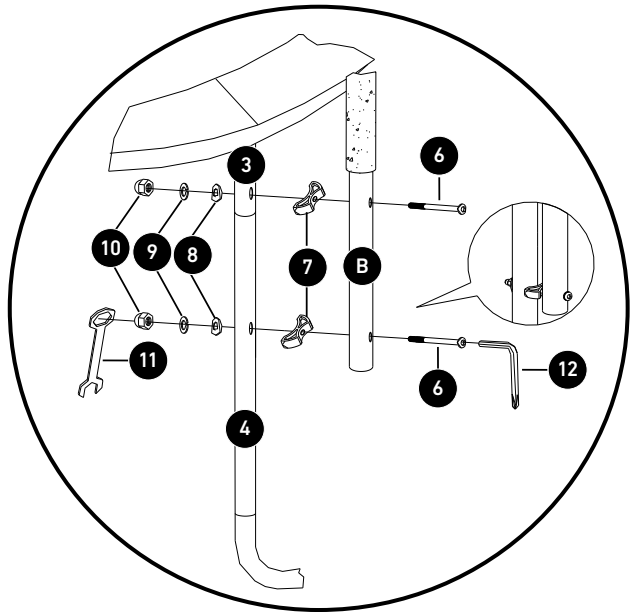
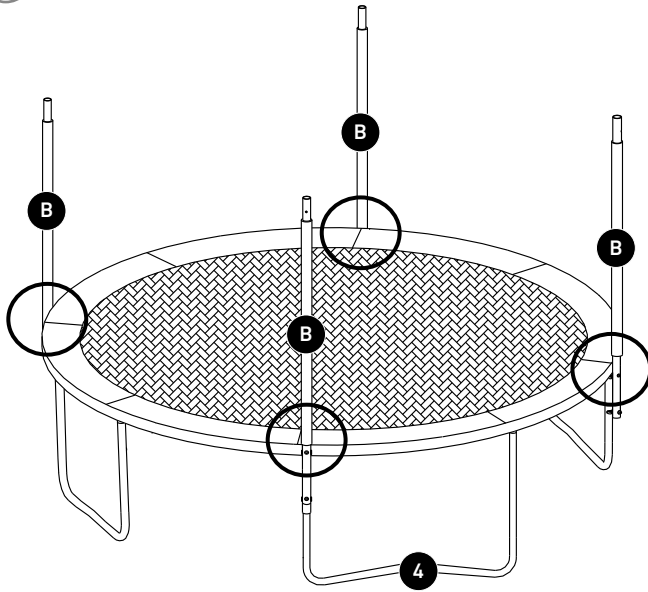
WICHTIG! Befestige zunächst zwei Federn gegenüberliegend entsprechend den Markierungen 1 und 2 auf der Abbildung. Danach wiederholst du den Vorgang mit zwei neuen Federn, siehe Schritte 3 und 4 auf der Abbildung. Bringe die Federn der Reihe nach entsprechend den Markierungen auf der Abbildung an, bis 8 Federn befestigt sind. Auf diese Weise wird ein Gleichgewicht der durch die Federn verursachten Spannung erreicht. Das Tuch wird straff und gleichmäßig gehalten. Dadurch wird das Anbringen der restlichen Federn erleichtert. Die Position einiger Federn muss möglicherweise korrigiert werden, um die Anzahl der Federn und Halterungen am Ende anzupassen.

TÄRKEÄÄ! Aloita kiinnittämällä kaksi joustavastakaisille puoleille kuvan merkintöjen 1 ja 2 mukaisesti. Kiinnitä seuraavaksi toiset kaksi joustaa samalla tavalla kuvan merkintöjen 3 ja 4 mukaisesti. Kiinnitä jousia vuorotellen kuvan merkintöjen mukaisesti, kunnes olet kiinnittänyt 8 joustaa. Näin jousien aikaansaama jännite on tasapainossa. Kangas pysyy tiukalla ja tasaisena, mikä helpottaa jäljellä olevien jousien kiinnittämistä. Joidenkin jousien paikkaa on ehkä vaihdettava, jotta jousien ja kiinnikkeiden paikat vastaavat toisiaan lopussa.

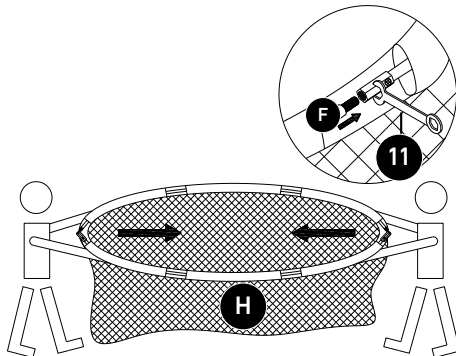
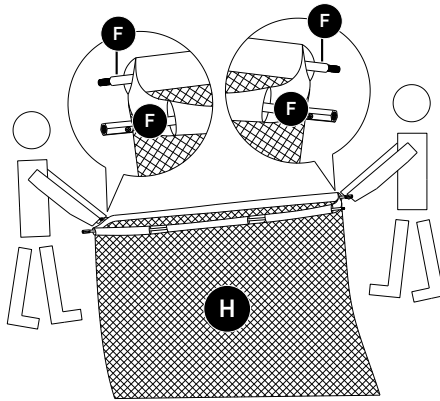
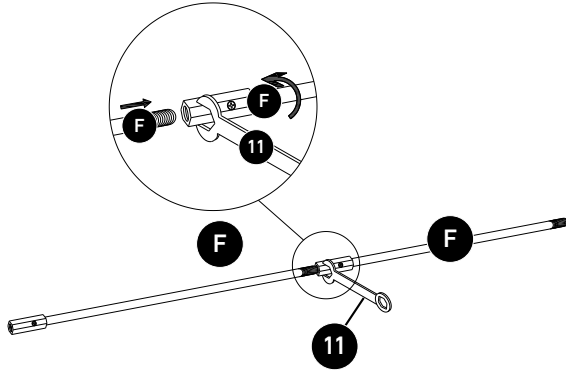
5



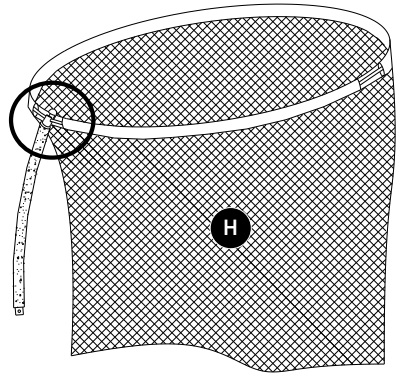
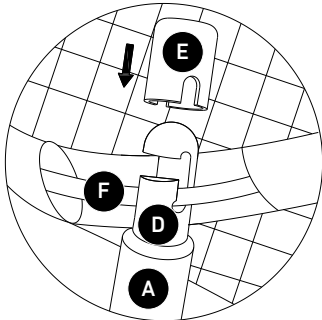
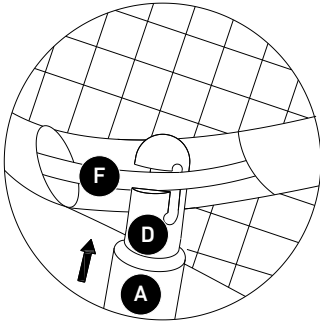
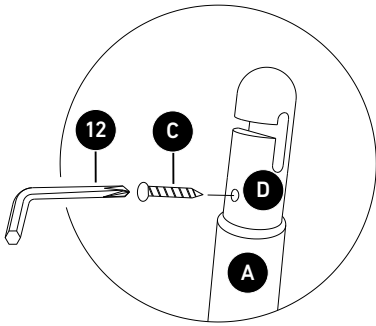
6



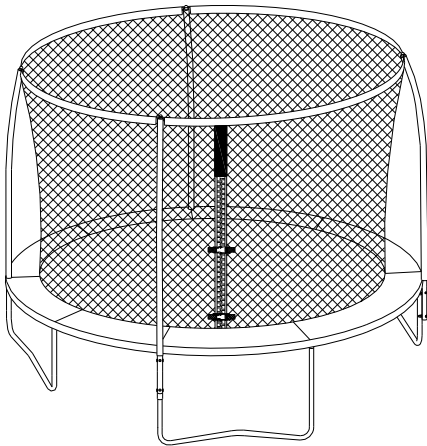
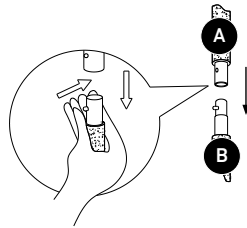
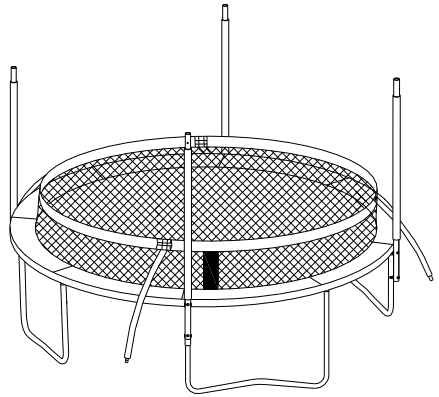
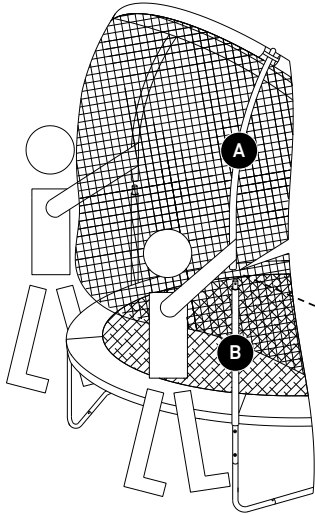
7

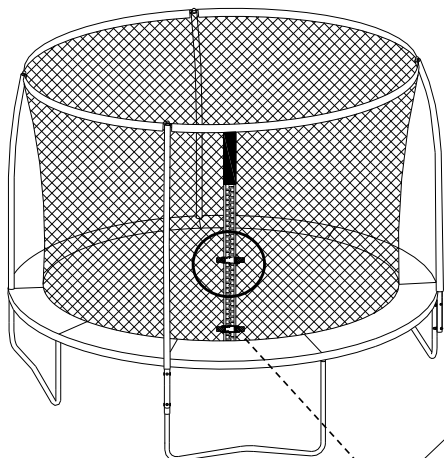


8



9

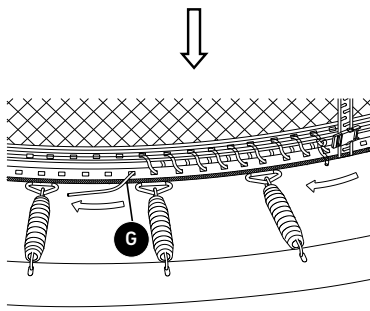
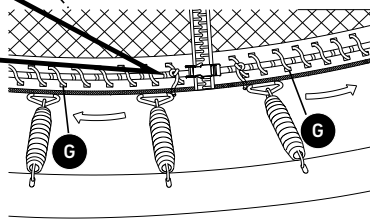
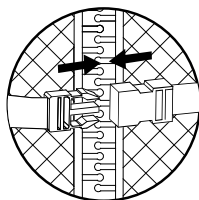
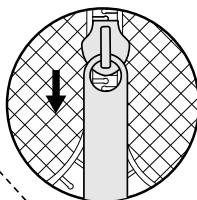
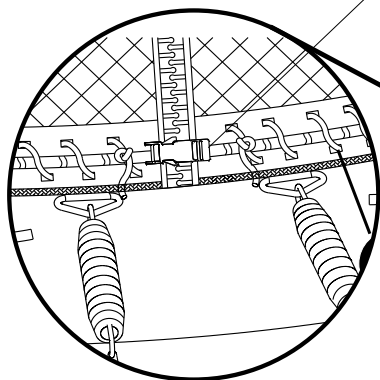




IMPORTANT! Attach the safety net by starting to thread the cord from the safety at one side of the opening, working your way round the mat and finishing on the next side of the opening. Start and finish with a double knot.

VIKTIGT! Fäst säkerhetsnätet genom att börja sy vid öppningens ena sida, arbeta dig runt mattan och avsluta på nästa sida öppningen. Börja och avsluta med en dubbelknut.

VIKTIG! Fest sikkerhetsnettet ved å begynne å sy på ene siden av åpningen. Arbeid deg rundt trampolinen og avslutt på den andre siden av åpningen. Start og avslutt med en dobbeltknute.



Secure the safety net to the trampoline mat using the cord. Tie one end of the cord to a triangle ring on the trampoline mat and then tie the cord between the safety net and the triangle rings until it runs out. Then secure it to a triangle ring and repeat until the entire net is secured to the trampoline mat. /

Fäst säkerhetsnätet i studsduken med snöret. Knyt ena änden av snöret i en triangel-ring på studsduken och låt sedan snöret knytas mellan säkerhetsnät och ringelring tills det tar slut, knyt då fast det i en triangelring och upprepa sedan tills hela nätet är fäst i studsduken. /

Fest sikkerhetsnettet til trampolineduken med snoren. Knyt den ene enden av snoren i en triangelring på trampolineduken, og knyt deretter snoren mellom sikkerhetsnettet og triangelringene til det ikke er mer snor igjen. Knyt fast snoren i en triangelring, og gjenta til hele nettet er festet til trampolineduken. /

Befestigen Sie das Sicherheitsnetz mit der Schnur am Sprungtuch. Binden Sie das eine Ende der Schnur in einen Triangel am Sprungtuch. Dann wird die Schnur zwischen Sicherheitsnetz und Triangel solange gebunden, bis es endet. Binden Sie die Schnur dann in einem Triangel fest und wiederholen Sie das, bis das gesamte Netz am Sprungtuch befestigt ist. /

Kiinnitä turvaverkko trampoliinin mattoon narulla. Yhdistä narun toinen pää trampoliinimaton kolmiosilmukkaan. Anna narun kiinnittyä turvaverkon ja kolmiosilmukan väliin loppuun saakka. Solmi se kiinni kolmiosilmukkaan ja toista toimet, kunnes koko verkko on kiinnitetty trampoliinin mattoon.

WICHTIG! Befestige das Sicherheitsnetz, indem du an einer Seite mit dem Durchfädeln beginnst. Setze rund um das Trampolin fort und beende den Vorgang an der Öffnung auf der nächsten Seite. Mit einem Doppelknoten beginnen und abschließen.

TÄRKEÄÄ! Kiinnitä turvaverkko aloittamalla kiinnittäminen aukon toiselta puolelta, kierrä maton ympäri ja pääätä kiinnitys aukon toiselle puolelle. Aloita ja pääätä kiinnittäminen kaksoissolmulla.

FINAL SAFETY CHECK

Check that all strings, hooks and screws are secure and have been positioned as shown in the assembly instructions, before using the trampoline. All locking mechanisms should be checked regularly and adjusted when necessary. Stop using the safety net if it becomes very worn or damaged.

SLUTLIG SÄKERHETSKONTROLL

Kontrollera att alla band, krokar och skruvar sitter fast och är placerade enligt monteringsanvisningen, innan studsattan används. Alla fästeanordningar bör regelbundet kontrolleras och vid behov justeras. Sluta att använda säkerhetsnätet om det blir starkt slitet eller skadat.

AVSLUTTENDE SIKKERHETSKONTROLL

Kontroller at alle bånd, kroker og skruer sitter fast og er plassert i henhold til monterings-anvisningen, før trampolinen tas i bruk. Alle festeanordninger bør kontrolleres regelmessig og justeres når det er behov for det. Slutt å bruke sikkerhetsnettets dersom det blir svært slitt eller skadet.

ABSCHLIESSENDE SICHERHEITSKONTROLLE:

Vor der ersten Anwendung des Trampolins kontrollieren, dass alle Bänder, Haken und Schrauben fest sitzen und gemäß Montageanweisung platziert sind. Alle Befestigungen müssen regelmäßig kontrolliert und bei Bedarf justiert werden. Ein stark abgenutztes oder beschädigtes Sicherheitsnetz soll nicht länger verwendet werden.

LOPULLINEN TURVATARKASTUS

Varmista ennen trampoliinin käyttöä, että kaikki narut, koukut ja ruuvit ovat kunnolla kiinni ja ne on sijoitettu kokoamisohjeissa ilmoitetulla tavalla. Kaikki lukitusmekanismit pitää tarkastaa säännöllisesti ja säätää tarvittaessa. Lopeta turvaverkon käyttö, jos se on erittäin kulunut tai vahingoittunut.



ENG

Customer Service Rusta
Consumer contact:
Website:
E-mail:

Rusta Customer Service, Box 5064, 194 05 Upplands Väsby, SWEDEN
www.rusta.com
customerservice@rusta.com

SE

Rustas kundtjänst
Konsumentkontakt:
Hemsida:
E-post:

Rusta Kundtjänst, Box 5064, 194 05 Upplands Väsby, SVERIGE
www.rusta.com
customerservice@rusta.com

NO

Rustas kundtjeneste
Forbrukerkontakt:
Hjemmesida:
E-post:

Rusta Kundtjeneste, Box 5064, 194 05 Upplands Väsby, SVERIGE
www.rusta.com
customerservice@rusta.com

DE

Kundenservice Rusta
Kundenkontakt:
Website:
E-mail:

Kundenservice Rusta, Box 5064, 194 05 Upplands Väsby, SCHWEDEN
www.rusta.com
customerservice@rusta.com

FI

Rustan asiakaspalvelu
Kuluttajapalvelu:
Sivusto:
Sähköposti:

Kuluttajapalvelu Rusta, Box 5064, 194 05 Upplands Väsby, RUOTSI
www.rusta.com
customerservice@rusta.com